

ARTIKAL

131301

Item

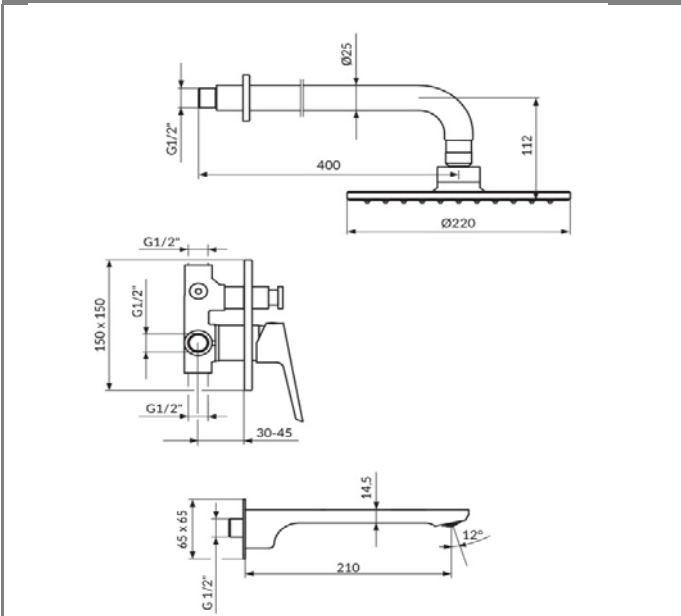
UZIDNA BATERIJA

concealed mixer

SLIKA PROIZVODA
Product picture



TEHNIČKA SKICA
Technical draft



TEHNIČKI PODACI

Jednoručna baterija

Uzidna montaža

Masivna konstrukcija

Keramički mešač KEROX® 35 HWS

Automatski prebacivač

NEOPERL® PERLATOR® COINSLLOT®

Klasa protoka 9lit/min na tušu

Tuš ruža D.220mm sa zglobom

Klasa bučnosti II

TECHNICAL DETAILS

Single lever mixer

Built-in the wall

Solid construction

Ceramic cartridge KEROX® 35 HWS

Automatic diverter

Aerator NEOPERL® PERLATOR® COINSLLOT®

Flow rate 9 lit/min on shower

Shower rose D.220mm with knob

Noise level II

RADNI USLOVI

Maksimalni radni pritisak: 5 bar

Preporučeni radni pritisak: 3 bar

Minimalni radni pritisak: 1 bar

Maksimalna dozvoljena temperatura: 80°C

Preporučena temperatura vode: 60°C

WORKING CONDITIONS

Max. working pressure : 5 bar

Suggested working pressure : 3 bar

Min. working pressure : 1 bar

Max. working temperature : 80°C

Suggested max. water temperature : 60°C

www.rosan.rs

Srbija, 24420 Kanjiža, Dušana Popovića 10.

tel.+381 24-876-744 fax +381 24-876-756, info@rosan.rs

STOLZ