

Bath spout 15.2 cm with diverter valve

Surfaces: **chrome** Art. no. : **13423000**



Description

product features

- Connection type: R 1/2
- exposed design allows easy installation, all working parts are outside of the wall
- automatically reverts from shower to bath spout when turned off
- with escutcheon
- with integrated backflow prevention
- spout 152 mm long
- wall-mounted
- Flow rate (at 3 bar): 25 l/min at 3 bar
- operating pressure: min 1 bar / max 10 bar
- Includes: bath spout with diverter,

Article Details

Price excl. VAT

£ 102.50

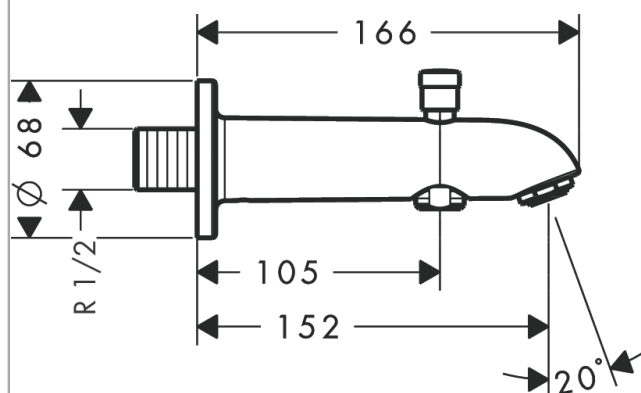
Technology



Product image



Scale drawing



Flowchart

