

**Crometta E**  
**Showerpipe 240 1jet with single lever mixer**  
 Finish: **Chrome** Article Number: **27284000**



### Description

#### product features

- consists of: overhead shower, hand shower, single lever shower mixer, shower hose, hand shower holder, shower bar
- overhead shower Crometta E 240
- shower head size overhead shower: 240 x 240 mm
- spray type overhead shower: Rain
- ball-joint: overhead shower angle adjustable
- hand shower holder inclination angle can be adjusted by 45°
- spray disc surface: chrome
- maximum flow rate at 3 bar: 15 l/min
- flow rate Rain spray (at 3 bar): 15 l/min
- spray type hand shower: Rain, IntenseRain
- flow rate of hand shower at 3 bar: 13 l/min
- minimum flow pressure: 1,8 bar
- max. operating pressure: 10 bar
- pipe can be shortened in height
- shower bar diameter: 22 mm
- shower arm length overhead shower: 350 mm
- suitable for continuous flow water heaters with an output of 18 kW
- mounting type: exposed installation
- connection dimension DN15
- connection thread G ½
- centre distance 150 ± 12 mm
- ceramic cartridge
- temperature limitation not adjustable
- adjustable hot water limitation
- 3 functions
- EPD Showerpipes

### Technology





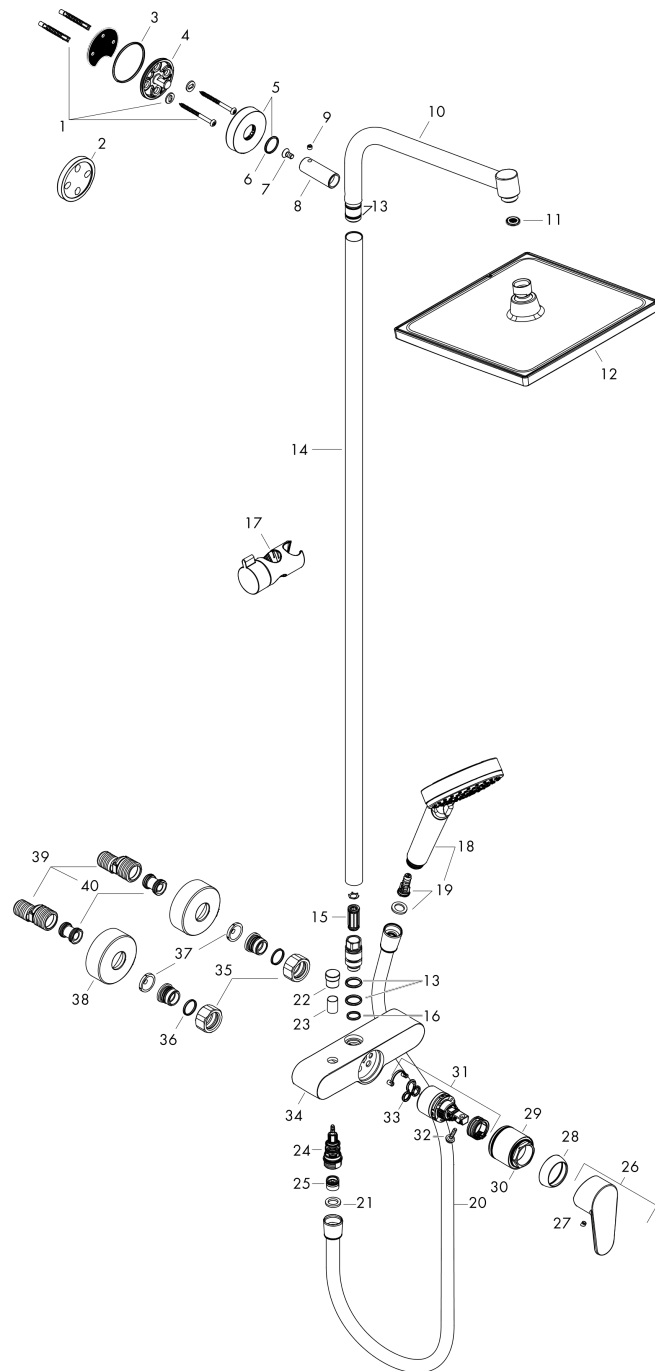


**Crometta E**  
**Showerpipe 240 1jet with single lever mixer**  
 Finish: **Chrome** Article Number: **27284000**



**Exploded Drawing**

Year of production: >04/16



**Crometta E**  
**Showerpipe 240 1jet with single lever mixer**  
 Finish: **Chrome** Article Number: **27284000**



## Spare part list

Year of production: >04/16

Pos.	Description	Article Number	Price	PU
1	mounting set	96179000	€ 11,66	1
2	tile-matching-disk 7 mm	95239000	€ 14,28	1
3	O-Ring 50x2	98187000	€ 3,33	1
4	wall flange	95688000	€ 28,92	1
5	escutcheon Ø 60 mm	95692000	€ 18,80	1
6	O-ring 20x2	98165000	€ 3,33	1
7	screw	92137000	€ 5,36	1
8	sleeve	92166000	€ 36,89	1
9	hollow set screw M6x5	98447000	€ 3,33	1
10	shower arm	93072000	€ 128,28	1
11	filter packing	94246000	€ 3,33	1
12	head shower	26726000	-	1
13	O-ring 15x2,5	98131000	€ 3,33	1
14	pipe 1000 mm	96743000	€ 72,47	1
15	noise reduction	95009000	€ 8,69	1
16	O-ring 12x2,25	98382000	€ 3,33	1
17	support, assy	92366000	€ 36,89	1
18	handshower	26330400	-	1
19	filter insert	97708000	€ 5,36	1
20	shower hose Isiflex'B 1,60 m	28276000	-	1
21	seal	98058000	€ 3,33	1
22	diverter knob	97981000	€ 18,80	1
23	sleeve	97979000	€ 14,28	1
24	selector (invers)	95657000	€ 36,89	1
25	non return valve	97980000	€ 14,28	1
26	handle	98532000	€ 28,92	1
27	screw cover	96338000	€ 3,33	1
28	flange	97406000	€ 18,80	1
29	nut	97977000	€ 36,89	1
30	O-Ring 32x2	98193000	€ 3,33	1
31	cartridge, assy	92730000	€ 58,67	1
32	locking screw for handle	95140000	€ 5,36	1
33	seal	95008000	€ 8,69	1
34	installation unit cpl. without handle	93674000	€ 338,79	1
35	set of nuts	96157000	€ 28,92	1
36	O-ring 17x1,5	98137000	€ 3,33	1
37	filter packing	96922000	€ 8,69	1
38	escutcheon Ø 68 mm	96467000	€ 18,80	1
39	set of S-unions (±12 mm)	94140000	€ 45,82	1
40	noise reduction	96429000	€ 5,36	1