

## AXOR ShowerSolutions

### Baton hand shower 2jet

Surfaces: **Chrome** Article Number: **28532000**



#### product features

- spray type: Rain, Mono
- spray type adjustment by turning spray disc
- grey spray disc
- maximum flow rate at 3 bar: 16,2 l/min
- flow rate Mono spray (at 3 bar): 12,4 l/min
- flow rate Rain spray (at 3 bar): 16,2 l/min
- minimum flow pressure: 1 bar
- rinseable screen seal
- connection thread G ½
- connection dimension: DN15
- suitable for continuous flow water heaters

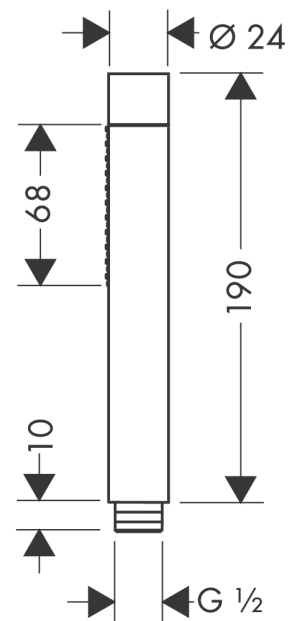
#### Technology



#### Product image



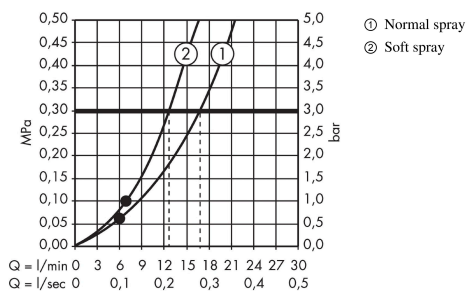
#### Scale drawing



**AXOR ShowerSolutions**  
**Baton hand shower 2jet**  
 Surfaces: **Chrome** Article Number: **28532000**



## Flowchart



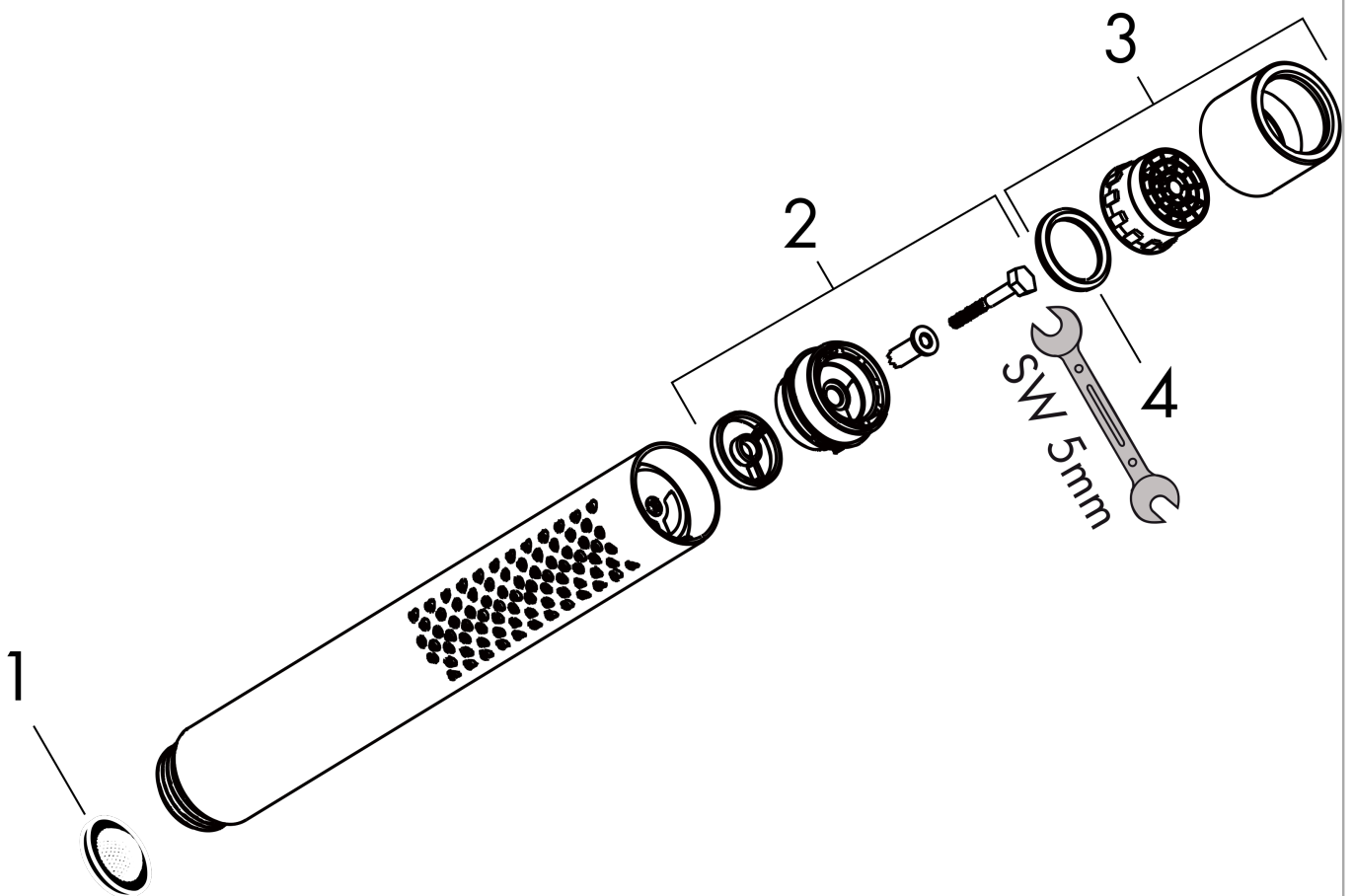
The consumption was measured in combination with the appropriate fittings (thermostat/mixer/in-wall valve) to reflect actual application in practice.

**AXOR ShowerSolutions**  
**Baton hand shower 2jet**  
Surfaces: **Chrome** Article Number: **28532000**



## Exploded Drawing

Year of production: >04/05



**AXOR ShowerSolutions**  
**Baton hand shower 2jet**  
 Surfaces: **Chrome** Article Number: **28532000**



## Spare part list

Year of production: >04/05

Pos.		Article Number	Price	PU
1	filter packing	94246000	-	1
2	selector assy	95511000	-	1
3	spray former	95411000	-	1
4	O-Ring 14x2,5	98189000	-	1
a	flow-restrictor-set	92019000	-	1