

## Focus

**Electronic basin mixer with temperature pre-adjustment mains connection 230 V**

Surfaces: **Chrome** Article Number: **31174000**



## Description

### product features

- ComfortZone 130
- projection 127 mm
- flow rate at 3 bar: 5 l/min
- theft-proof aerator
- temperature limitation adjustable
- temperature pre-adjustable
- suitable for continuous flow water heaters
- infrared sensor technology
- automatic environmental adjustment of infrared sensor
- adjustable optical range of infrared sensor (2 settings)
- 230 V / 50 Hz mains connection
- hygiene rinse activatable (automatic water flow for 10 seconds every 24 hours following the last operation)
- permanent rinse activatable (single water flow for 180 seconds, suitable for thermal disinfection)
- manual water stop for washbasin cleaning
- functional restriction due to too large distance
- performance may be impaired if the sensor is obscured by the design of the wash basin, or when the wash basin is oversized and the distance between sensor and the wash basin edge is larger than 75 mm
- connection dimension: DN15
- TÜV certified
- scope of supply: with two filter units with fine filter to protect from incoming dirt, for assembly on existing angle valves. Filter element can be removed and cleaned, non-return valve
- dirt filters in the connection hoses

## Technology



## Design awards



reddot design award

## Certificates



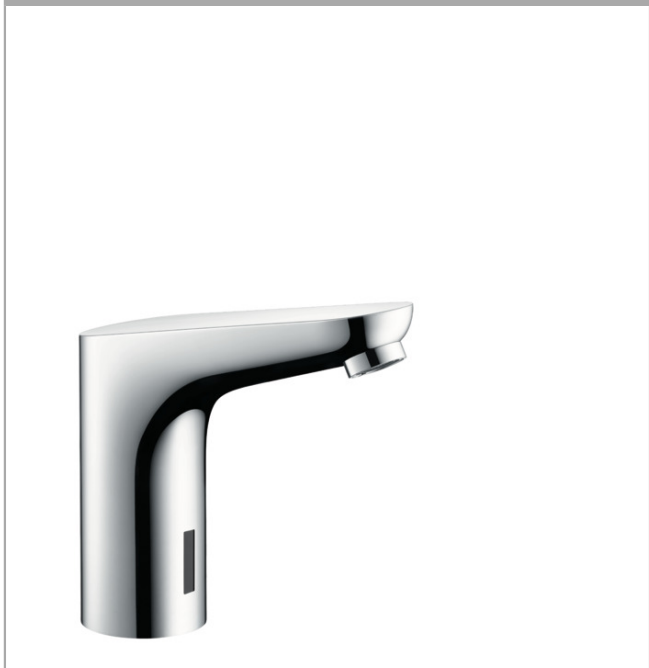
## Focus

Electronic basin mixer with temperature pre-adjustment mains connection 230 V

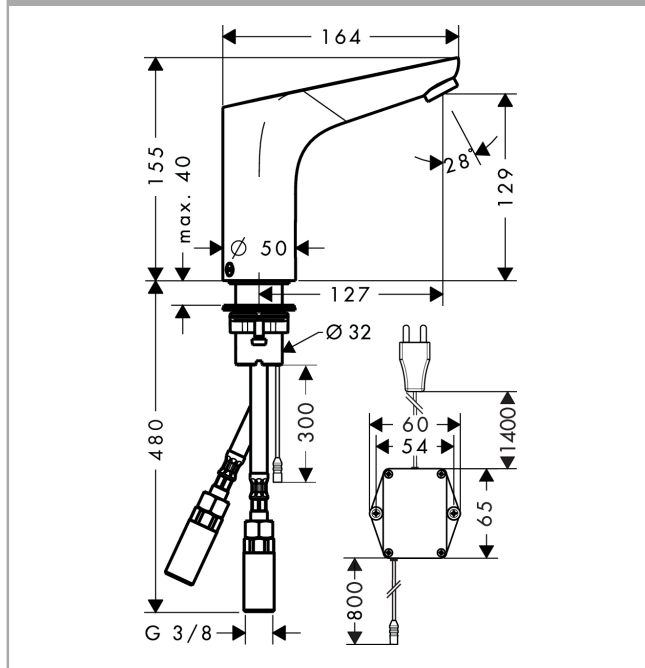
Surfaces: **Chrome** Article Number: **31174000**



### Product image



### Scale drawing



### Flowchart

