

## Metris

### Single lever bath mixer for exposed installation

Surfaces: **chrome** Article Number: **31480000**



#### Description

##### product features

- projection 123 - 130.5 mm
- connection type: s-shaped connections
- centre distance:  $150 \pm 12$  mm
- spray type mixer: normal spray
- flow rate for bath spout at 3 bar: 21 l/min
- flow rate of hand shower at 3 bar: 8 l/min
- ceramic cartridge
- min. operating pressure: 1 bar
- temperature limitation adjustable
- with automatic resetting
- non-return valve
- with silencer
- suitable for continuous flow water heaters
- connection dimension: DN15

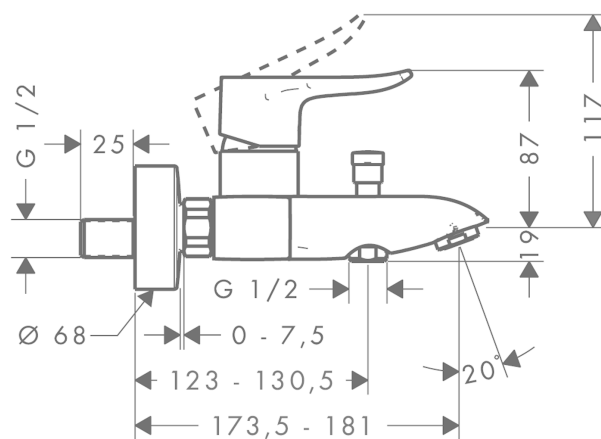
#### Technology



#### Product image



#### Scale drawing



## Metris

### Single lever bath mixer for exposed installation

Surfaces: **chrome** Article Number: **31480000**



#### Flowchart

