

## Basic set for single lever bath mixer for concealed installation

Surfaces: n.a. Article Number: 31741180



### Description

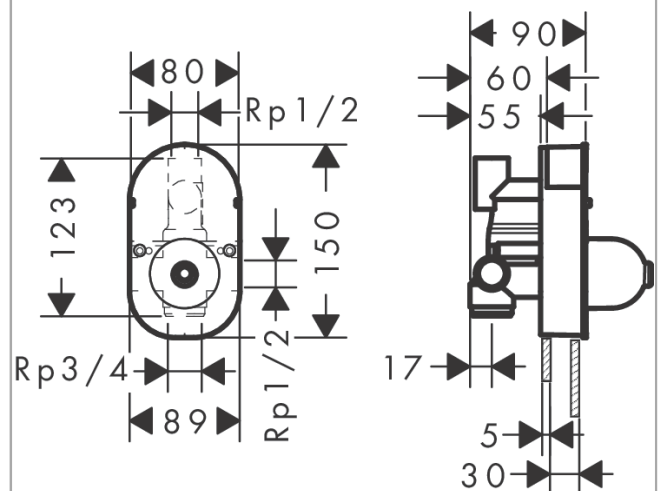
#### product features

- ceramic cartridge
- connection dimension: DN15

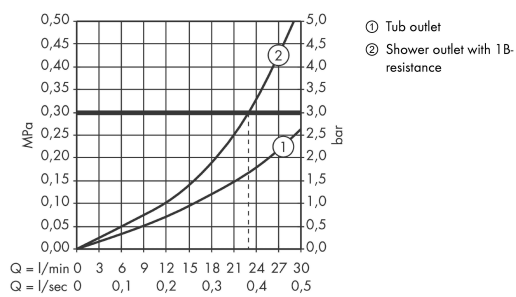
### Product image



### Scale drawing



### Flowchart



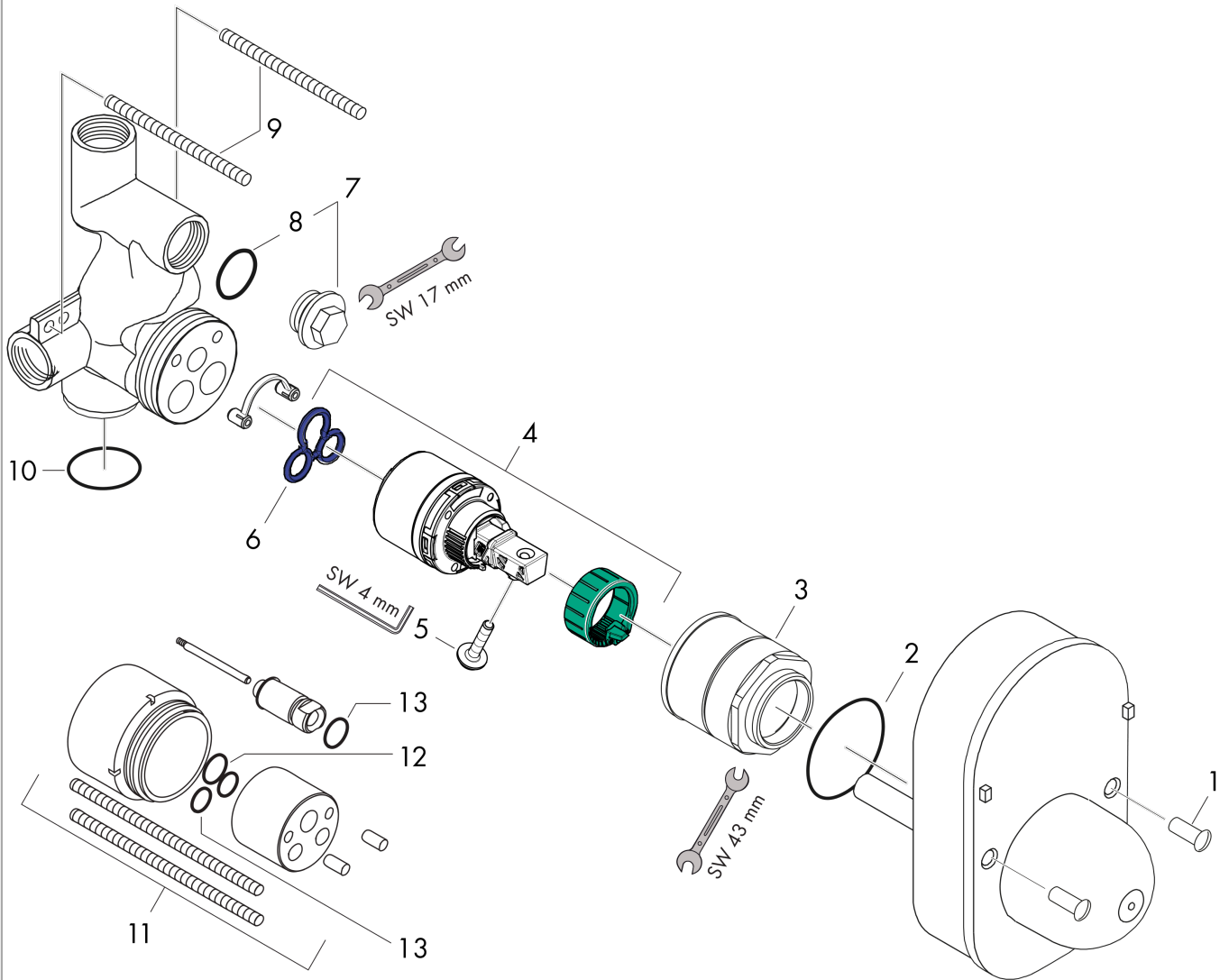
**Basic set for single lever bath mixer for concealed installation**

Surfaces: n.a. Article Number: 31741180



**Exploded Drawing**

Year of production: >01/18



## Basic set for single lever bath mixer for concealed installation

Surfaces: n.a. Article Number: 31741180



### Spare part list

Year of production: >01/18

Pos.	Description	Article Number	Price	PU
1	hollow screw	96065000	-	1
2	O-ring 43x1,5	98148000	-	1
3	nut	95007000	-	1
4	cartridge, assy	92730000	-	1
5	locking screw for handle	95140000	-	1
6	seal	95008000	-	1
7	plug	97222000	-	1
8	O-ring 16x2,5	98134000	-	1
9	screw M5 x 75	97553000	-	1
10	O-ring 30x3	98152000	-	1
11	extension set 28 mm tub mixer	32498000	-	1
12	O-ring 10x1,5	98123000	-	1
13	O-ring 12x1,5	98430000	-	1