

## Talis S

### Single lever kitchen mixer 170

Surfaces: **chrome** Article Number: **32851000**



#### Description

##### product features

- ComfortZone 170
- swivel range 150°
- normal spray
- connection dimension: DN15
- flow rate 16 l/min
- ceramic cartridge
- connection type: G 3/8 connections
- suitable for continuous flow water heaters

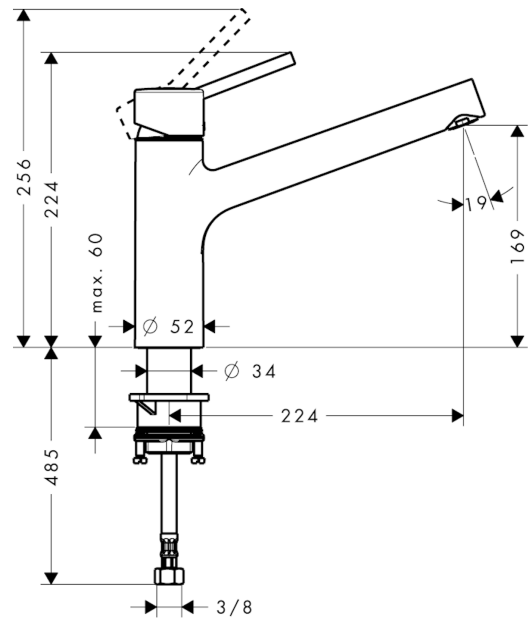
#### Technology



#### Product image



#### Scale drawing



#### Flowchart

