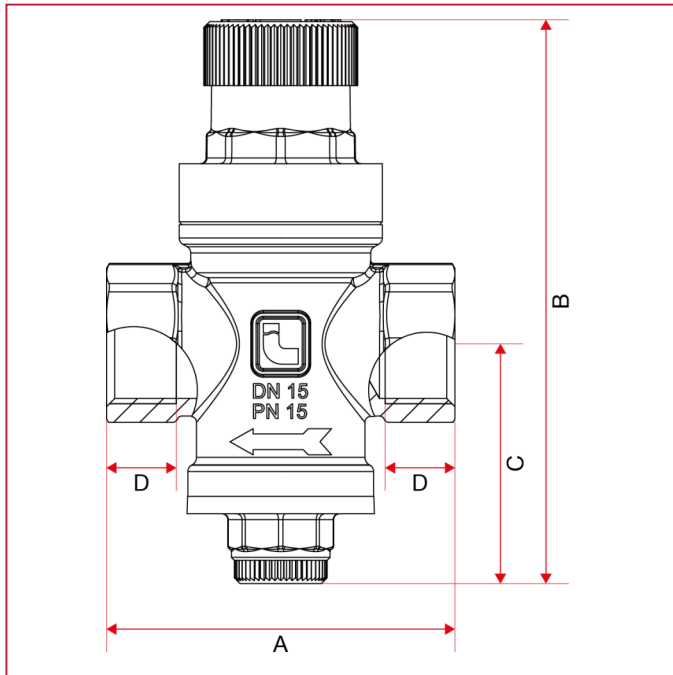




361 MINIPRESS pressure reducing valve

OVERALL DIMENSIONS



	1/2"	3/4"
DN	15	20
A	60	60
B	97	97
C	41,25	41,25
D	12	12
Kg/cm ² bar	15	15
LBS - psi	217,5	217,5