


BIDET WALL-MOUNTED ARCHITECTURA

PRODUCT INFORMATION

1 . POSITION



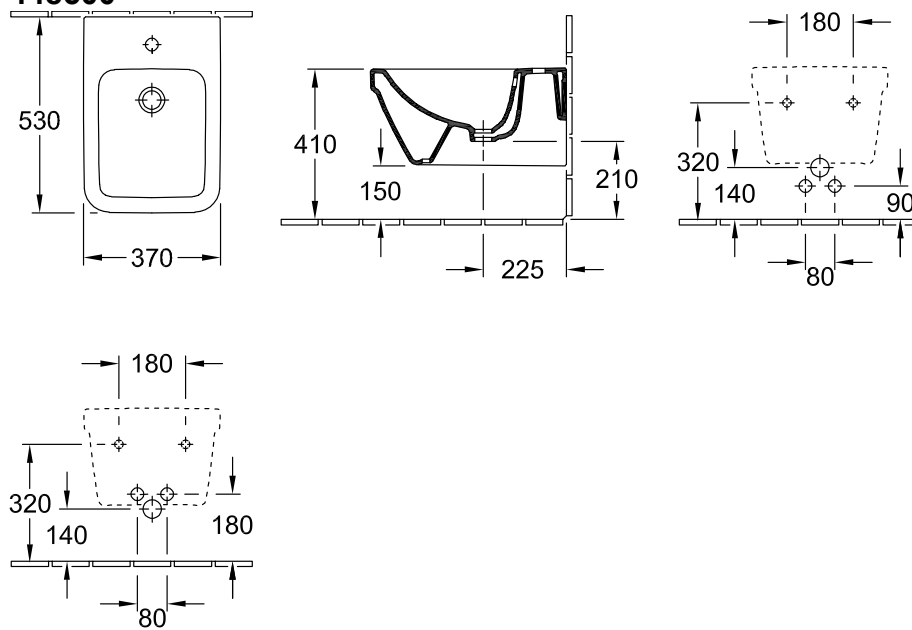
Model	448500
Collection	Architectura
PROJECTS	 PLUS
Width	370 mm
Depth	530 mm
Weight	20 kg
description	Sanitary porcelain EN 14528
Tap fitting / Tap hole remark	suitable for 1-hole tap fittings, tap hole punched out
Overflow remark	with overflow
Installation	wall-mounted
material	Sanitary porcelain
Specification texts	Architectura; Bidet; Sanitary porcelain; Size: 370 x 530 mm; Rectangle; suitable for 1-hole tap fittings, tap hole punched out; with overflow; wall-mounted; EN 14528

COLOURS

White Alpin	44850001	4051202493707
White Alpin CeramicPlus	448500R1	4051202493691

TECHNICAL DRAWINGS

448500



TECHNICAL DRAWINGS

448500

