

## Logis

**Single lever basin mixer for concealed installation wall-mounted with spout 19.5 cm**

Surfaces: **Chrome** Article Number: **71220000**



### Description

#### product features

- consists of: Single lever basin mixer for concealed installation wall-mounted, waste set
- projection 195 mm
- normal spray
- flow rate at 3 bar: 5 l/min
- ceramic cartridge
- temperature limitation adjustable
- suitable for continuous flow water heaters
- non-closing flush grated valve
- material waste set: metal
- connection dimension: DN15
- handle can be positioned on the right or left, depends on the basic set installation
- not included: basic set

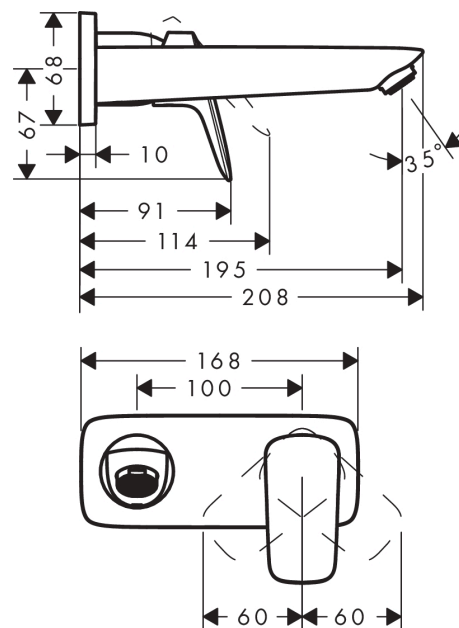
### Technology



### Product image



### Scale drawing



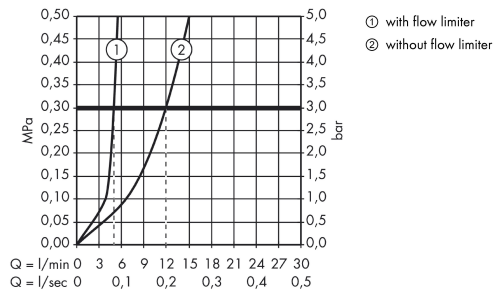
## Logis

Single lever basin mixer for concealed installation wall-mounted with spout 19.5 cm

Surfaces: **Chrome** Article Number: **71220000**



### Flowchart



## Logis

Single lever basin mixer for concealed installation wall-mounted with spout 19.5 cm

Surfaces: **Chrome** Article Number: **71220000**



### Installation examples

