

**Vernis Blend****Electronic basin mixer with temperature pre-adjustment battery operation**Surface: **Chrome** Article Number: **71502000****Description****product features**

- ComfortZone 100
- projection 112 mm
- spray type: Normal spray
- swiveling spray former
- maximum flow rate at 3 bar: 5 l/min
- temperature pre-adjustable
- with isolated water conduction - without contact with nickel and lead
- non-return valve
- infrared sensor technology
- automatic environmental adjustment of infrared sensor
- battery condition indicator available
- battery operation 6 V Lithium-battery, type CR-P2 (lifetime approx. 7 years, at 150 actuations per day, battery included in scope of supply)
- running time adjustable
- running time: 10 s, 20 s, 30 s
- hygiene rinse activatable (automatic water flow)
- frequency of hygiene rinse: 24 h, 48 h, 72 h
- flushing time hygiene rinse: 10 s, 20 s, 30 s
- permanent rinse activatable (single water flow for 200 seconds, suitable for thermal disinfection)
- cleaning mode: manual water stop for washbasin cleaning
- connection dimension: DN15
- dirt filters in the connection hoses
- frequency of hygiene rinse and flushing time hygiene rinse are dependent on each other (24 h - 10 s, 48 h - 20 s, 72 h - 30 s)

**Technology****Certificates**

**Vernis Blend**

**Electronic basin mixer with temperature pre-adjustment battery operation**

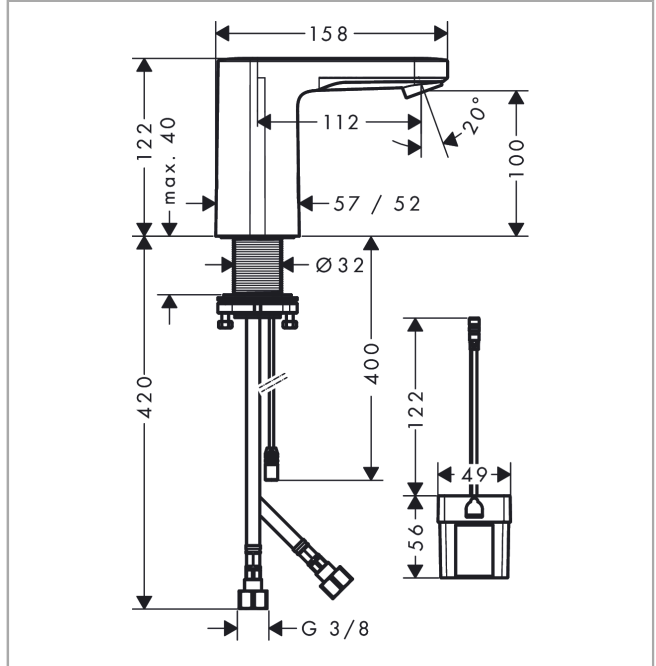
Surface: **Chrome** Article Number: **71502000**



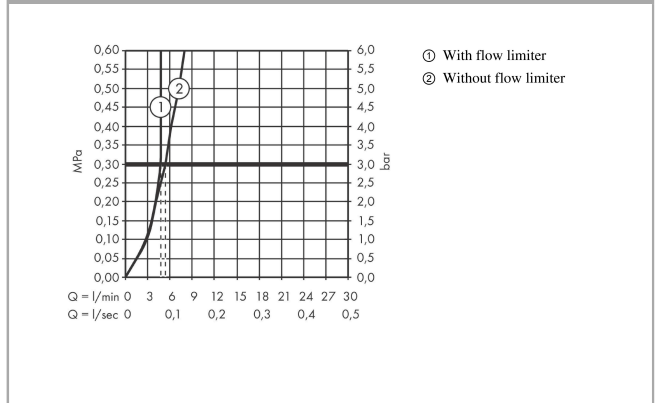
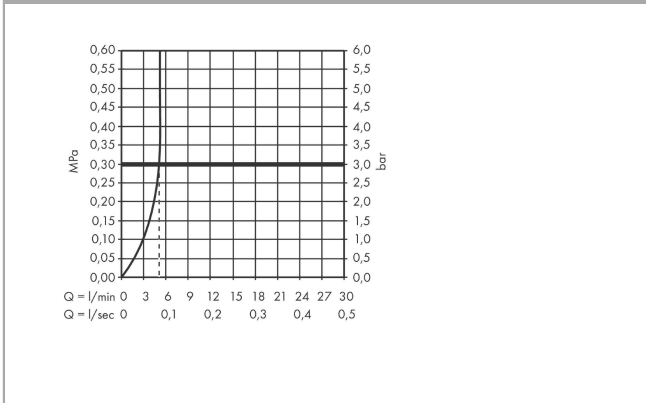
**Product image**



**Scale drawing**



**Flowchart**



**Vernis Blend**

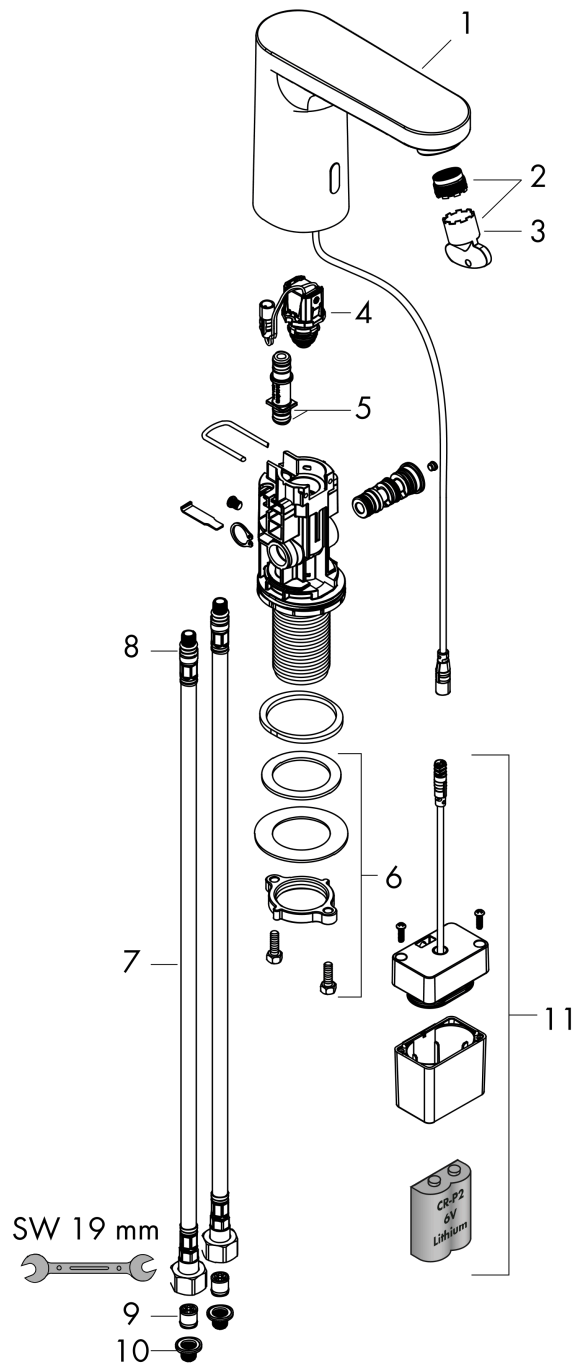
**Electronic basin mixer with temperature pre-adjustment battery operation**

Surface: **Chrome** Article Number: **71502000**



**Exploded Drawing**

Year of production: >05/21



## Vernis Blend

Electronic basin mixer with temperature pre-adjustment battery operation

Surface: **Chrome** Article Number: **71502000**



### Spare part list

Year of production: >05/21

| Pos. | Description                         | Article Number | Price    | PU |
|------|-------------------------------------|----------------|----------|----|
| 1    | mixer-hood                          | 94454000       | € 166,48 | 1  |
| 2    | aerator M18x1 (5 l/min)             | 94451000       | € 14,28  | 1  |
| 3    | service tool                        | 93750000       | € 8,69   | 1  |
| 4    | solenoid valve                      | 94453000       | € 103,17 | 1  |
| 5    | O-ring 8x1,5                        | 98423000       | € 3,33   | 1  |
| 6    | fixing set (Ø 32)                   | 13961000       | € 22,97  | 1  |
| 7    | connection hose 450 mm M8x0,75 G3/8 | 93405000       | € 36,89  | 1  |
| 8    | O-ring 7x1,5                        | 98422000       | € 3,33   | 1  |
| 9    | non return valve DW 10              | 96456000       | € 8,69   | 1  |
| 10   | filter packing                      | 95291000       | € 11,66  | 1  |
| 11   | battery box                         | 94455000       | € 36,89  | 1  |
| a    | Thermostat                          | 15346000       | -        | 1  |
| b    | fixation extension 35 mm            | 13898000       | € 72,47  | 1  |
| c    | lever collar                        | 97548000       | € 3,33   | 1  |