

Vernis Blend

Single lever basin mixer 100 with pop-up waste set

Surface: **Chrome** Article Number: **71551000**



Description

product features

- consists of: single lever basin mixer, waste set
- ComfortZone 100
- projection: 108 mm
- spout height: 88 mm
- spray type: Normal spray
- swiveling spray former
- maximum flow rate at 3 bar: 5 l/min
- ceramic cartridge
- temperature limitation adjustable
- suitable for continuous flow water heaters
- pop-up waste set G 1¼
- material waste set: synthetic
- connection type: G ¾ connections
- connection dimension: DN15

Technology



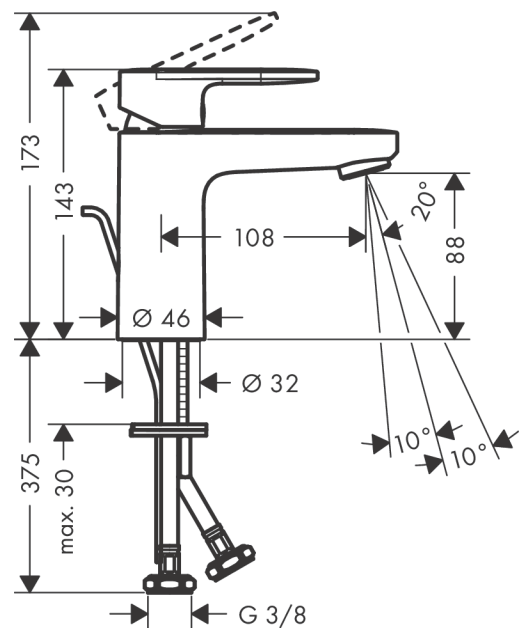
Certificates



Product image



Scale drawing



Vernis Blend
Single lever basin mixer 100 with pop-up waste set
 Surface: **Chrome** Article Number: **71551000**



Flowchart

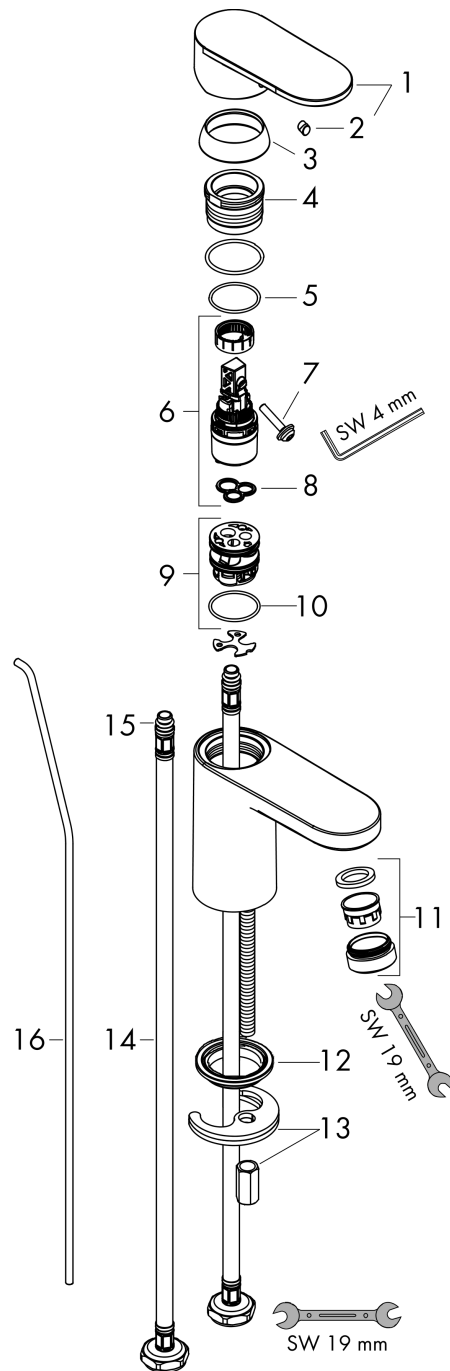


Vernis Blend
Single lever basin mixer 100 with pop-up waste set
 Surface: **Chrome** Article Number: **71551000**



Exploded Drawing

Year of production: >01/21



Vernis Blend

Single lever basin mixer 100 with pop-up waste set

Surface: **Chrome** Article Number: **71551000**



Spare part list

Year of production: >01/21

Pos.	Description	Article Number	PC	PU
1	handle	93678000	8	1
2	screw cover	96338000	1	1
3	flange	93680000	7	1
4	nut	93681000	6	1
5	O-ring 24x1,5	98434000	1	1
6	cartridge, assy	97685000	11	1
7	locking screw for handle	95140000	2	1
8	seal	98865000	8	1
9	adapter for cartridge	98866000	8	1
10	O-ring 23x2	98398000	1	1
11	aerator swivelling M24x1 (5 l/min)	93834000	6	1
12	seal Ø 42	98722000	2	1
13	fixing set	96016000	8	1
14	connection hose 600 mm M8x0,75 G3/8	96556000	7	1
15	O-ring 7x1,5	98422000	1	1
16	pull rod	93683000	4	1
a	pop up waste	92168000	9	1
b	lever arm 340mm (ball-Ø12mm)	96324000	7	1