

## Vernis Shape

### Single lever basin mixer 100 with isolated water conduction and pop-up waste set

Surface: **Matt Black** Article Number: **71561670**



#### Description

##### product features

- consists of: single lever basin mixer, waste set
- ComfortZone 100
- projection: 110 mm
- spout height: 95 mm
- spray type: Normal spray
- swiveling spray former
- maximum flow rate at 3 bar: 5 l/min
- ceramic cartridge
- temperature limitation adjustable
- with isolated water conduction - without contact with nickel and lead
- suitable for continuous flow water heaters
- pop-up waste set G 1¼
- material waste set: synthetic
- connection type: G ¾ connections
- connection dimension: DN15

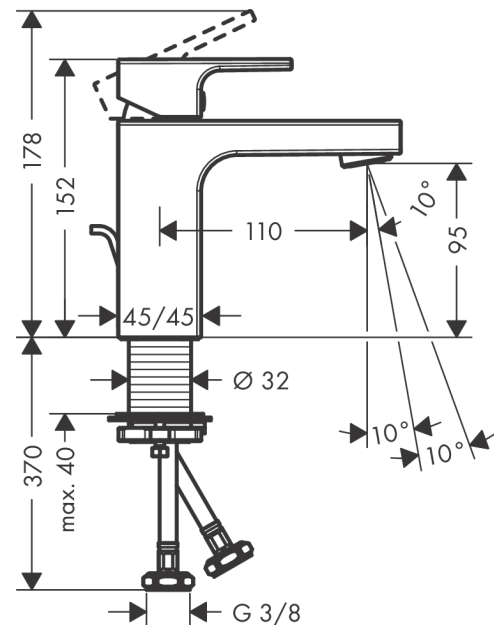
#### Technology



#### Product image



#### Scale drawing



**Vernis Shape**

**Single lever basin mixer 100 with isolated water conduction and pop-up waste set**

Surface: **Matt Black** Article Number: **71561670**



**Flowchart**



**Vernis Shape**

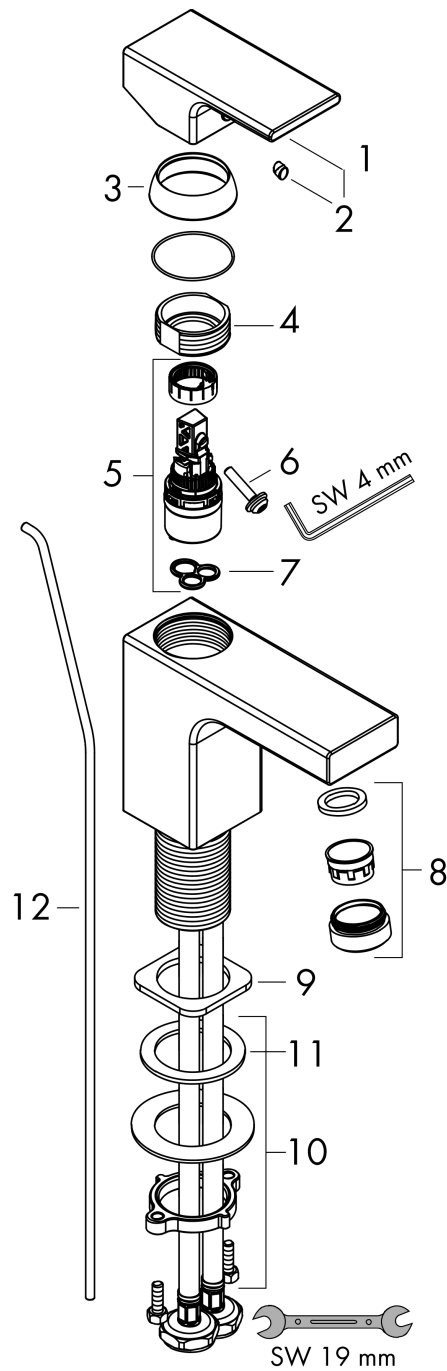
**Single lever basin mixer 100 with isolated water conduction and pop-up waste set**

Surface: **Matt Black** Article Number: **71561670**



**Exploded Drawing**

Year of production: >04/21



## Vernis Shape

**Single lever basin mixer 100 with isolated water conduction and pop-up waste set**

Surface: **Matt Black** Article Number: **71561670**



### Spare part list

Year of production: >04/21

Pos.	Description	Article Number	PC	PU
1	handle	93684670	58	1
2	screw cover	96338000	1	1
3	flange	93680670	0	1
4	nut	93686000	7	1
5	cartridge, assy	97685000	11	1
6	locking screw for handle	95140000	2	1
7	seal	98865000	8	1
8	aerator swivelling M24x1 (5 l/min)	93834670	56	1
9	seal	93687000	1	1
10	fixing set (Ø 32)	13961000	7	1
11	lever collar	97548000	1	1
12	pull rod	93683670	54	1
a	pop up waste	94139670	64	1
b	fixation extension 35 mm	13898000	12	1