

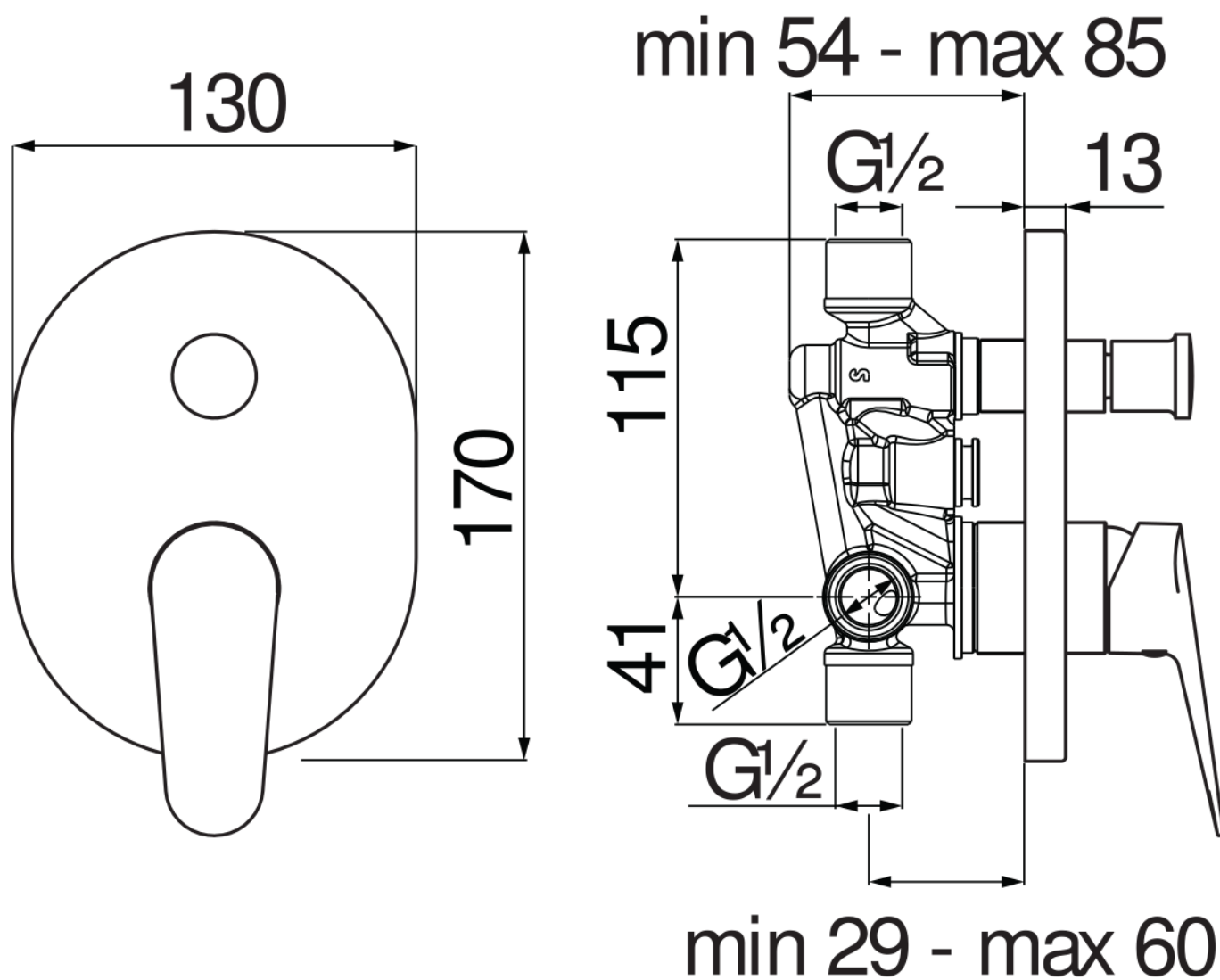


SPECIFICATIONS

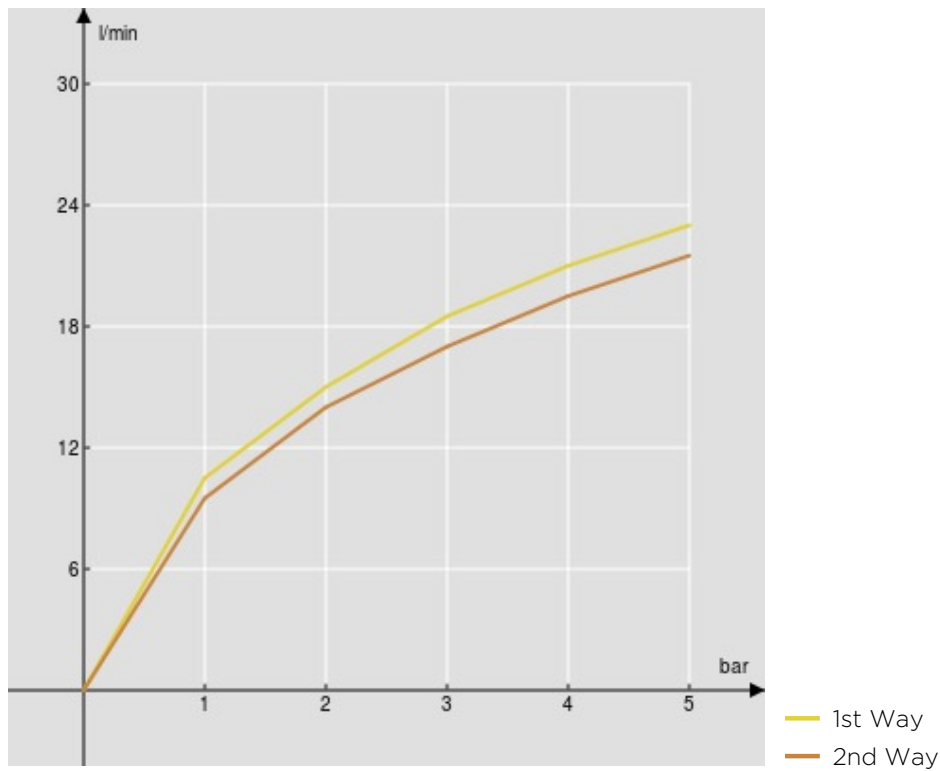
Built-in 2-ways single control mixer
Cromo polished
ø 1/2" hot and cold water inlet
ø 1/2" outlets
Auto return deviator
External part and flush-fit part
50% two step cartridge for water saving
Packaging: 22 x 15,5 x 15 cm / 0,00512 m³ / 1,88 kg

CERTIFICATIONS





FLOW RATE DIAGRAM: HOT/COLD WATER



FLOW RATE DIAGRAM: MIXED WATER

