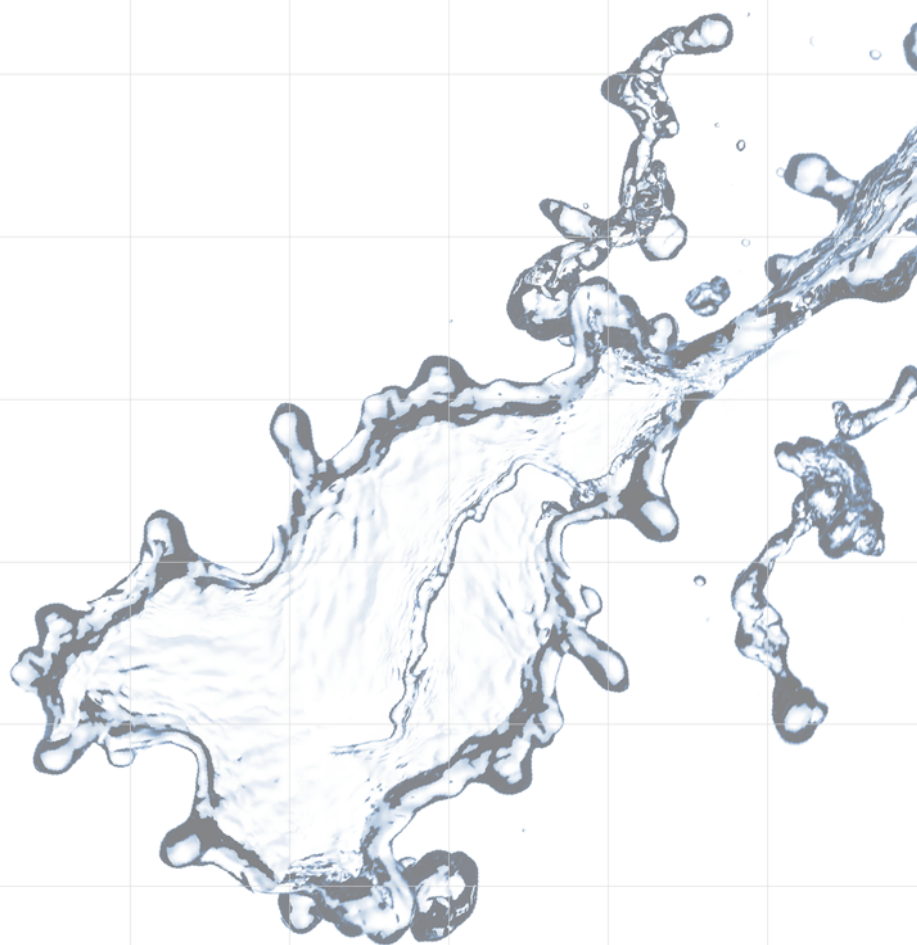




**My product catalogue**



**AXOR<sup>®</sup>**

Product image	Model name	Surfaces	Article Number	Page
	Croma Showerpipe 160 1jet with thermostat	Chrome	27135000	3
	Raindance S Showerpipe 240 1jet with thermostat	Chrome	27115000	6

## Croma

### Showerpipe 160 1jet with thermostat

Surfaces: **Chrome** Article Number: **27135000**



#### Description

##### product features

- consists of: overhead shower, hand shower, shower thermostat, shower hose, slider
- maximum flow rate at 0.3 MPa: 17 l/min
- overhead shower Croma 160
- shower head size: 160 mm
- overhead shower angle adjustable
- spray type: Rain
- operating pressure: min. 0.15 MPa/max. 1.0 MPa
- shower arm length: 270 mm
- thermostat Ecostat Comfort
- safety lock at 40° C
- adjustable hot water limitation
- outlets controlled via turning handle
- installation type: exposed installation
- connection dimension DN15
- connection thread R ½
- centre distance 150 ± 12 mm
- height-adjustable hand shower holder
- scope of supply: Showerpipe with thermostat, escutcheons, S-connections, mounting material, assembly instruction

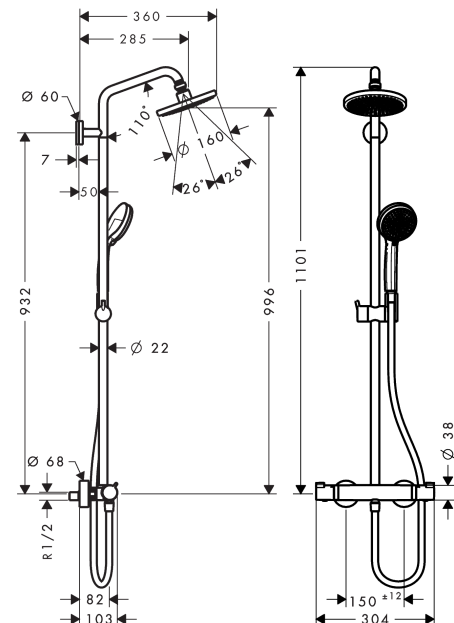
#### Technology



#### Product image



#### Scale drawing



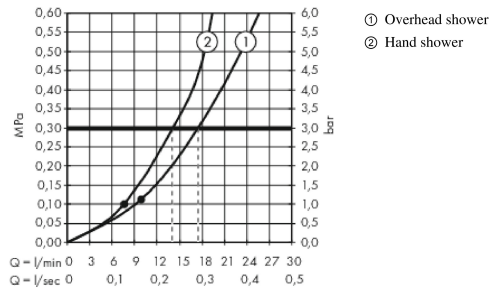
## Croma

### Showerpipe 160 1jet with thermostat

Surfaces: **Chrome** Article Number: **27135000**



#### Flowchart



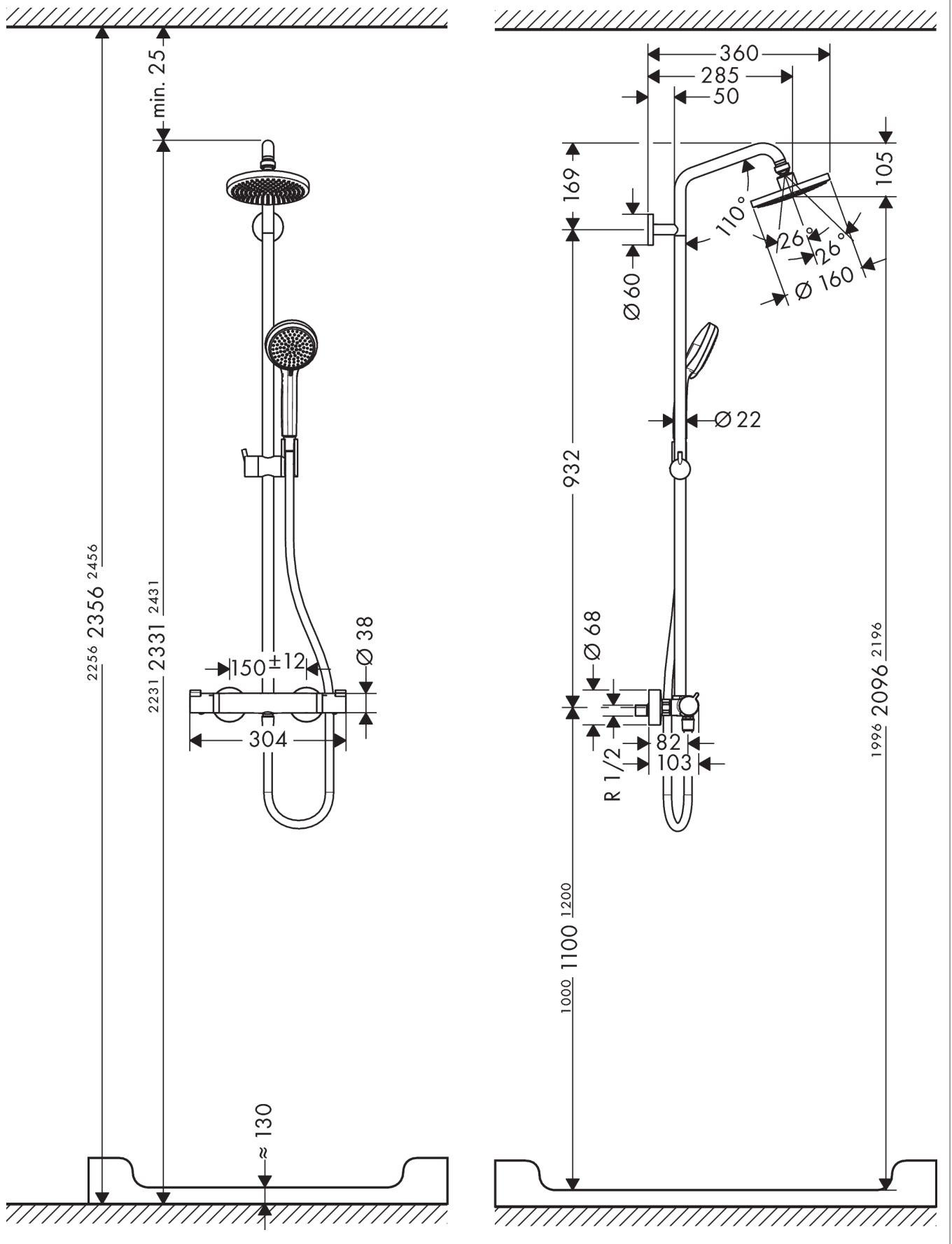
**Croma**

**Showerpipe 160 1jet with thermostat**

Surfaces: **Chrome** Article Number: **27135000**



## Installation examples



## Raindance S

### Showerpipe 240 1jet with thermostat

Surfaces: **Chrome** Article Number: **27115000**



#### Description

##### product features

- consists of: overhead shower, hand shower, shower thermostat, shower hose, slider
- overhead shower Raindance S 240 Air
- shower head size: 240 mm
- overhead shower angle adjustable
- spray type: RainAir
- flow rate RainAir spray (at 0.3 MPa): 17 l/min
- operating pressure: min. 0.15 MPa/max. 1.0 MPa
- fully chrome-plated spray disc
- shower arm length: 460 mm
- swivel shower arm
- thermostat Ecostat Comfort
- safety lock at 40° C
- adjustable hot water limitation
- outlets controlled via turning handle
- installation type: exposed installation
- connection dimension DN15
- connection thread R ½
- centre distance 150 ± 12 mm
- height-adjustable hand shower holder
- scope of supply: Showerpipe with thermostat, escutcheons, S-connections, mounting material, assembly instruction

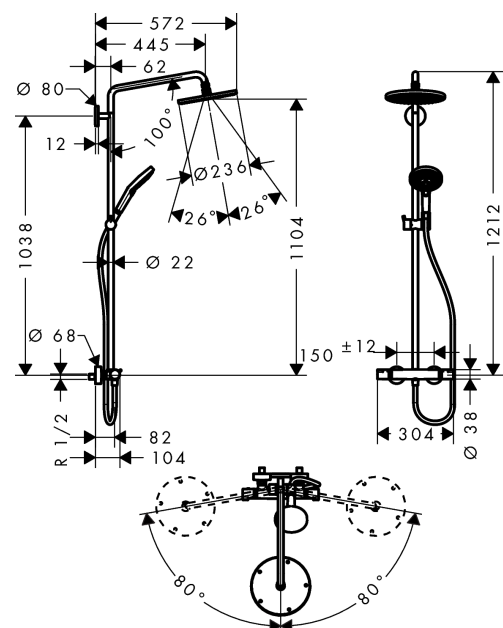
#### Technology



#### Product image



#### Scale drawing



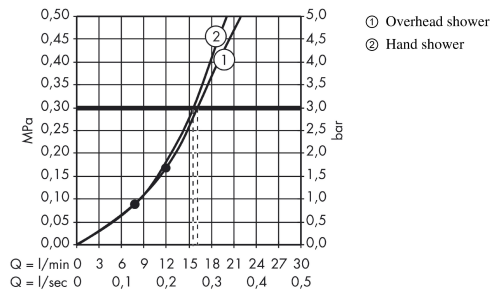
## Raindance S

### Showerpipe 240 1jet with thermostat

Surfaces: **Chrome** Article Number: **27115000**



#### Flowchart



## Raindance S

### Showerpipe 240 1jet with thermostat

Surfaces: **Chrome** Article Number: **27115000**



#### Installation examples

