

ARTIKAL
Item

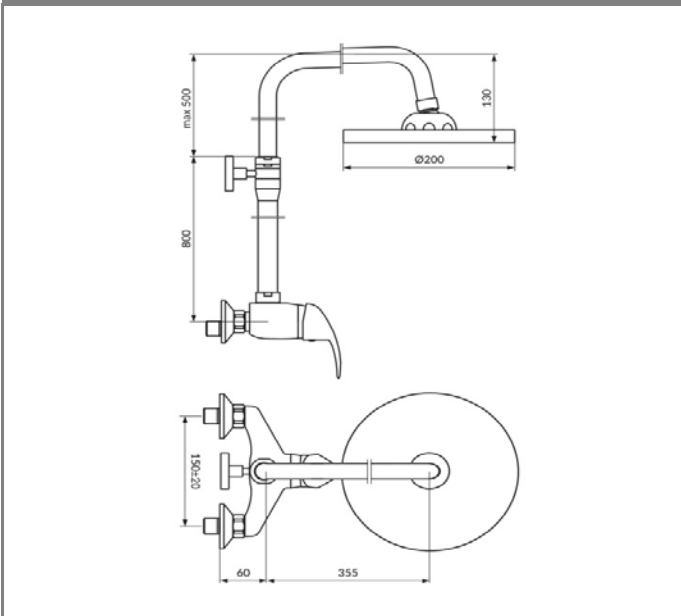
J371252

Baterija za tuš kadu sa usponskim tušem
Shower mixer with stand shower

SLIKA PROIZVODA Product picture



TEHNIČKA SKICA Technical draft



TEHNIČKI PODACI

Jednoručna baterija
Zidna montaža
Keramički mešač KEROX® 40 HWS
Podesivi usponski tuš
Zglobna tuš ruža D. 200mm
Heavy Duty ekscentar kolena
Hromirane rozete
Klasa bučnosti I

TECHNICAL DETAILS

Single lever mixer
Wall mounted
Ceramic cartridge KEROX®40 HWS
Adjustable height stand pipe shower
Shower head D. 200mm
Heavy Duty eccentric connectors
Chromed rossete
Noise level I

RADNI USLOVI

Maksimalni radni pritisak: 5 bar
Preporučeni radni pritisak: 3 bar
Minimalni radni pritisak: 1 bar
Maksimalna dozvoljena temperatura: 80°C
Preporučena temperatura vode: 60°C

WORKING CONDITIONS

Max. working pressure : 5 bar
Suggested working pressure : 3 bar
Min. working pressure : 1 bar
Max. working temperature : 80°C
Suggested max. water temperature : 60°C

www.rosan.rs

Srbija, 24420 Kanjiža, Dušana Popovića 10.

tel.+381 24-876-744 fax +381 24-876-756, info@rosan.rs

KING