

ARTIKAL
Item

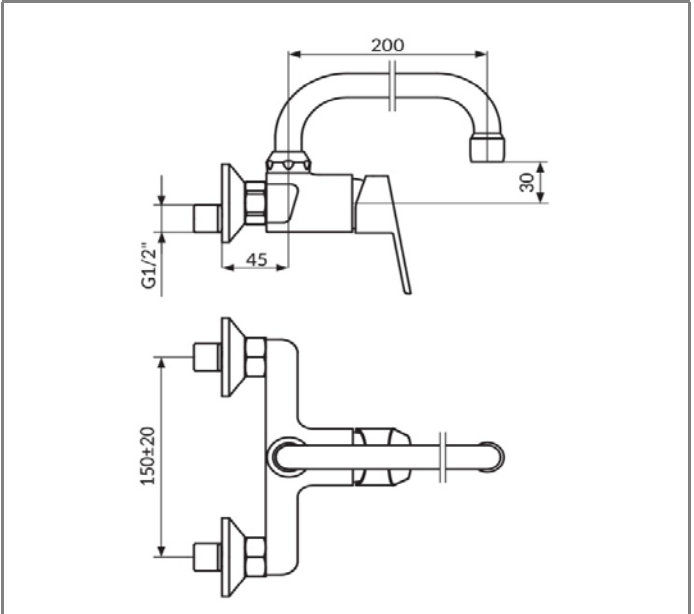
JA321003

ZIDNA BATERIJA - IZLIV U 200mm
Wall type mixer - 200mm U spout

SLIKA PROIZVODA Product picture



TEHNIČKA SKICA Technical draft



TEHNIČKI PODACI

Jednoručna baterija
Zidna montaža
Klasa protoka Z - 7 lit/min
NEOPERL® PERLATOR® HONEYCOMB®
Keramički mešač KEROX® 35
Heavy Duty ekscentar kolena
Polirane Inox rozete
Pokretni izliv U 200mm
Klasa bučnosti I

TECHNICAL DETAILS

Single lever mixer
Attached to the wall
Flow rate Z - 7 lit/min
NEOPERL® PERLATOR® HONEYCOMB®
Ceramic cartidge KEROX® 35 mm
Heavy Duty eccentrics
Polished SS304 rosettes
Swivel U spout 200mm
Noise class I

RADNI USLOVI

Maksimalni radni pritisak: 5 bar
Preporučeni radni pritisak: 3 bar
Minimalni radni pritisak: 1 bar
Maksimalna dozvoljena temperatura: 80°C
Preporučena temperatura vode: 60°C

WORKING CONDITIONS

Max. working pressure : 5 bar
Suggested working pressure : 3 bar
Min. working pressure : 1 bar
Max. working temperature : 80°C
Suggested max. water temperature : 60°C

www.rosan.rs

Srbija, 24420 Kanjiža, Dušana Popovića 10.

tel.+381 24-876-744 fax +381 24-876-756, info@rosan.rs

SMART