

ARTIKAL

JA381081

Item

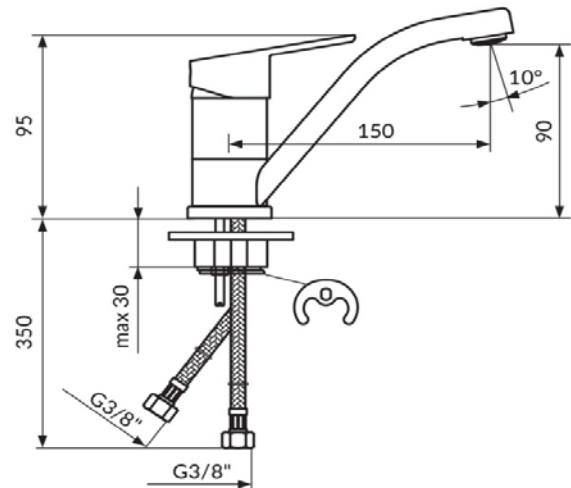
BATERIJA ZA SUDOPERU

Sink mixer

SLIKA PROIZVODA
Product picture



TEHNIČKA SKICA
Technical draft



TEHNIČKI PODACI

Jednoručna baterija
Montiranje na jedan otvor
Klasa protoka C
NEOPERL® PERLATOR® COIN SLOT®
Keramički mešač KEROX® 35 HWS
Pokretni izliv 360°
Inox set za pričvršćenje
CSTB/KIWA sertifikovana fleksibilna priključna creva
Klasa bučnosti I

TECHNICAL DETAILS

Single lever mixer
Single hole assembly
Flow class C
NEOPERL® PERLATOR® COIN SLOT®
Ceramic cartridge KEROX® 35 HWS
Swivel spout 360°
Single screw fixing set
CSTB/KIWA Certified flexible connection hoses
Noise class I

RADNI USLOVI

Maksimalni radni pritisak: 5 bar
Preporučeni radni pritisak: 3 bar
Minimalni radni pritisak: 1 bar
Maksimalna dozvoljena temperatura: 80°C
Preporučena temperatura vode: 60°C

WORKING CONDITIONS

Max. working pressure : 5 bar
Suggested working pressure : 3 bar
Min. working pressure : 1 bar
Max. working temperature : 80°C
Suggested max. water temperature : 60°C

www.rosan.rs

Srbija, 24420 Kanjiža, Dušana Popovića 10.

tel.+381 24-876-744 fax +381 24-876-756, info@rosan.rs

SMART