

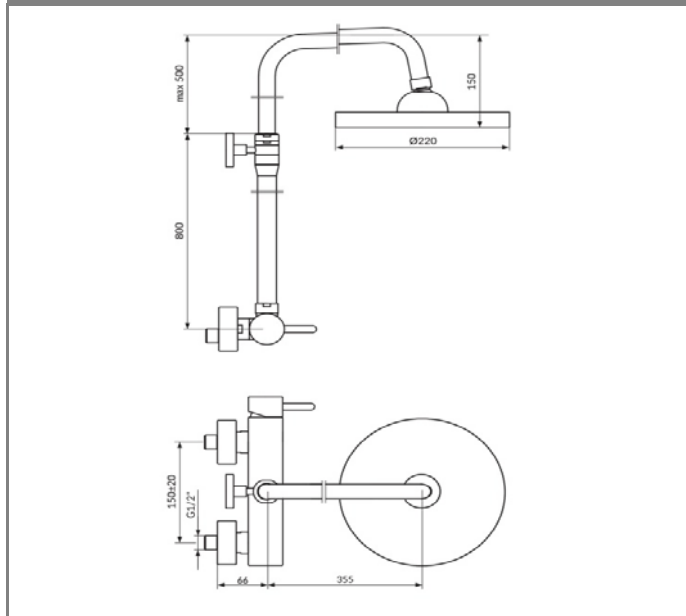
ARTIKAL **JD37252**
Item

Baterija za tuš kadu sa usponskim tušem
Shower mixer with stand pipe

SLIKA PROIZVODA
Product picture



TEHNIČKA SKICA
Technical draft



TEHNIČKI PODACI

Jednoručna baterija
Zidna montaža
Regulacija protoka do 5 lit/min na tušu
Keramički mešač KEROX® 35 HWS
Podesivi usponski tuš
Zglobna tuš ruža D. 220mm
Heavy Duty ekscentar kolena
Hromirane minimalističke rozete
Klasa bučnosti I

TECHNICAL DETAILS

Single lever mixer
Wall mounted
Flow regulation on shower up to 5 lit/min
Ceramic cartridge KEROX® 35 HWS
Adjustable height stand pipe shower
Shower head D. 220mm
Heavy Duty eccentric connectors
Chromed minimalistic rossete
Noise level I

RADNI USLOVI

Maksimalni radni pritisak: 5 bar
Preporučeni radni pritisak: 3 bar
Minimalni radni pritisak: 1 bar
Maksimalna dozvoljena temperatura: 80°C
Preporučena temperatura vode: 60°C

WORKING CONDITIONS

Max. working pressure : 5 bar
Suggested working pressure : 3 bar
Min. working pressure : 1 bar
Max. working temperature : 80°C
Suggested max. water temperature : 60°C

www.rosan.rs

Srbija, 24420 Kanjiža, Dušana Popovića 10.
tel.+381 24-876-744 fax +381 24-876-756, info@rosan.rs

DARK