

ARTIKAL  
Item

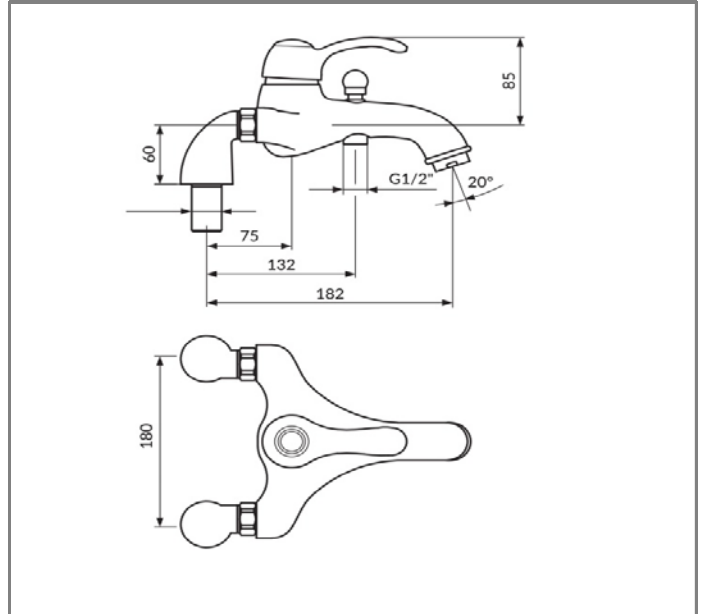
**JF33103**

Stojeća baterija za kadu sa ručnim tušem  
Standing bath mixer with shower set

SLIKA PROIZVODA  
Product picture



TEHNIČKA SKICA  
Technical draft



TEHNIČKI PODACI

Jednoručna baterija  
Montaža na kadu  
Klasa protoka C - na izlivu  
Regulacija protoka do 5 lit/min na tušu  
NEOPERL® PERLATOR® HONEYCOMB  
Keramički mešač KEROX® 42 D  
Polu-automatski prebacivač za tuš  
Duplo pleteno tuš crevo 1.5m  
Easy Clean tuš ručica  
Hromirani priključci  
Klasa bučnosti II

RADNI USLOVI

Maksimalni radni pritisak: 5 bar  
Preporučeni radni pritisak: 3 bar  
Minimalni radni pritisak: 1 bar  
Maksimalna dozvoljena temperatura: 80°C  
Preporučena temperatura vode: 60°C

TECHNICAL DETAILS

Single lever mixer  
Mixer standing on bath  
Flow class C - on spout  
Flow regulation on shower up to 5 lit/min  
Aerator NEOPERL® PERLATOR® HONEYCOMB  
Ceramic cartridge KEROX® 42 D  
Semi-automatic shower diverter  
Double lock shower hose 1.5m  
Easy Clean hand shower  
Chromed standing connections  
Noise level II

WORKING CONDITIONS

Max. working pressure : 5 bar  
Suggested working pressure : 3 bar  
Min. working pressure : 1 bar  
Max. working temperature : 80°C  
Suggested max. water temperature : 60°C

[www.rosan.rs](http://www.rosan.rs)

Srbija, 24420 Kanjiža, Dušana Popovića 10.

tel.+381 24-876-744 fax +381 24-876-756, info@rosan.rs

**JAFFAR**