

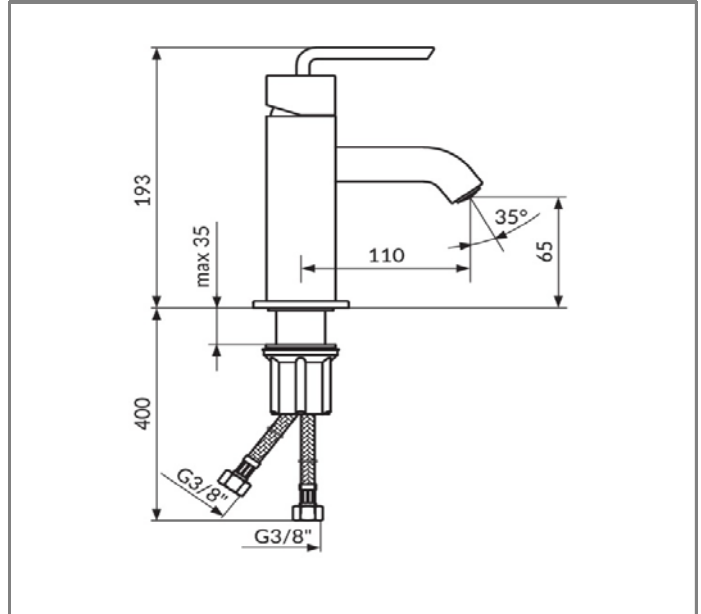
ARTIKAL **JO30101**  
Item

Baterija za lavabo  
Basin mixer

SLIKA PROIZVODA  
Product picture



TEHNIČKA SKICA  
Technical draft



TEHNIČKI PODACI

Jednoručna baterija  
Montiranje na jedan otvor  
Klasa protoka 1.5gpm ( 5.4 lit/min )  
NEOPERL® PERLATOR® Coin Slot PCA®  
Keramički mešač KEROX® 35 HWS  
INOX set za pričvršćenje  
IMQ sertifikovana fleksibilna priključna creva  
Klasa bučnosti I

TECHNICAL DETAILS

Single lever mixer  
Single hole mounted  
Flow class 1.5gpm ( 5.4 lit/min )  
Aerator NEOPERL® PERLATOR® Coin Slot PCA®  
Ceramic cartridge KEROX® 35 HWS  
Stainless Steel rapid instalation set  
IMQ certified flexible connection hoses  
Noise level I

RADNI USLOVI

Maksimalni radni pritisak: 5 bar  
Preporučeni radni pritisak: 3 bar  
Minimalni radni pritisak: 1 bar  
Maksimalna dozvoljena temperatura: 80°C  
Preporučena temperatura vode: 60°C

WORKING CONDITIONS

Max. working pressure : 5 bar  
Suggested working pressure : 3 bar  
Min. working pressure : 1 bar  
Max. working temperature : 80°C  
Suggested max. water temperature : 60°C

[www.rosan.rs](http://www.rosan.rs)

Srbija, 24420 Kanjiža, Dušana Popovića 10.  
tel.+381 24-876-744 fax +381 24-876-756, info@rosan.rs

**ONE**