

ARTIKAL
Item

JT31901

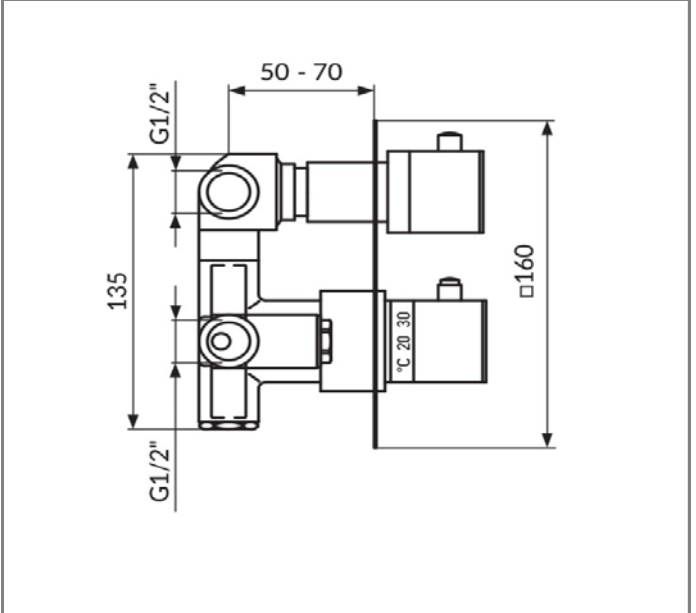
Uzidna baterija sa dva izlaza

Concealed mixer with two outputs

SLIKA PROIZVODA Product picture



TEHNIČKA SKICA Technical draft



TEHNIČKI PODACI

Termostatska baterija
Montaža u zidu
2 izlazni priključak
PKMTH2 mešač
Keramički prebacivač KEROX®
Hromirana rozeta u ravni sa zidom

TECHNICAL DETAILS

Thermostatic mixer
Built-in wall
2 outlet connection
PKMTH2 thermostatic cartridge
Ceramic diverter cartridge KEROX®
Chromed minimalistic rossete

RADNI USLOVI

Maksimalni radni pritisak: 5 bar
Preporučeni radni pritisak: 3 bar
Minimalni radni pritisak: 1 bar
Maksimalna dozvoljena temperatura: 80°C
Preporučena temperatura vode: 60°C

WORKING CONDITIONS

Max. working pressure : 5 bar
Suggested working pressure : 3 bar
Min. working pressure : 1 bar
Max. working temperature : 80°C
Suggested max. water temperature : 60°C

www.rosan.rs

Srbija, 24420 Kanjiža, Dušana Popovića 10.

tel.+381 24-876-744 fax +381 24-876-756, info@rosan.rs

THERMO2