

ARTIKAL

Item

JZ30101

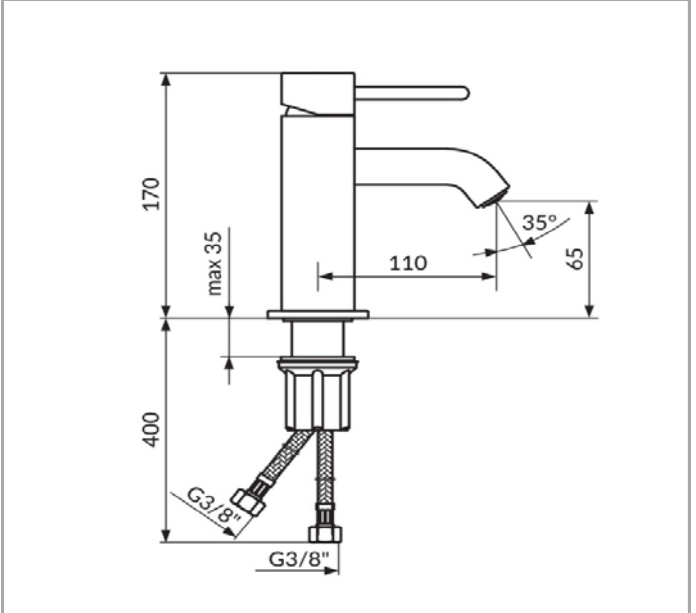
BATERIJA ZA LAVABO

Basin mixer

SLIKA PROIZVODA Product picture



TEHNIČKA SKICA Technical draft



TEHNIČKI PODACI

Jednoručna baterija
Montiranje na jedan otvor
Klasa protoka 1,5gpm (5.4 lit/min)
NEOPERL® PERLATOR® Coin Slot PCA®
Keramički mešač KEROX® 35 HWS
FaST35 set za brzo pričvršćenje
NEOPERL® SPX® priključna creva
Klasa bučnosti I

TECHNICAL DETAILS

Single lever mixer
Single hole assembly
Flow rate 1,5gpm (5.4 lit/min)
NEOPERL® PERLATOR® Coin Slot PCA®
Ceramic cartidge KEROX® HWS 35 mm
FaST35 fixing set
NEOPERL® SPX® flexible hoses
Noise class I

RADNI USLOVI

Maksimalni radni pritisak: 5 bar
Preporučeni radni pritisak: 3 bar
Minimalni radni pritisak: 1 bar
Maksimalna dozvoljena temperatura: 80°C
Preporučena temperatura vode: 60°C

WORKING CONDITIONS

Max. working pressure : 5 bar
Suggested working pressure : 3 bar
Min. working pressure : 1 bar
Max. working temperature : 80°C
Suggested max. water temperature : 60°C

www.rosan.rs

Srbija, 24420 Kanjiža, Dušana Popovića 10.

tel.+381 24-876-744 fax +381 24-876-756, info@rosan.rs

ZERRO