

ARTIKAL
Item

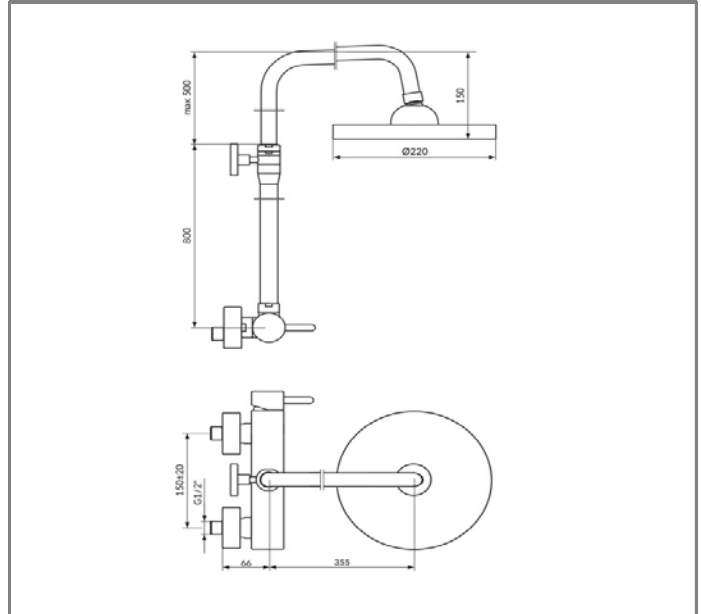
JZ37252

Baterija za tuš kadu sa usponskim tušem
Shower mixer with stand pipe

SLIKA PROIZVODA
Product picture



TEHNIČKA SKICA
Technical draft



TEHNIČKI PODACI

Jednoručna baterija
Zidna montaža
Regulacija protoka do 5 lit/min na tušu
Keramički mešač KEROX® 35 HWS
Podesivi usponski tuš
Zglobna tuš ruža D. 220mm
Heavy Duty ekscentar kolena
Hromirane minimalističke rozete
Klasa bučnosti I

TECHNICAL DETAILS

Single lever mixer
Wall mounted
Flow regulation on shower up to 5 lit/min
Ceramic cartridge KEROX® 35 HWS
Adjustable height stand pipe shower
Shower head D. 220mm
Heavy Duty eccentric connectors
Chromed minimalistic rossete
Noise level I

RADNI USLOVI

Maksimalni radni pritisak: 5 bar
Preporučeni radni pritisak: 3 bar
Minimalni radni pritisak: 1 bar
Maksimalna dozvoljena temperatura: 80°C
Preporučena temperatura vode: 60°C

WORKING CONDITIONS

Max. working pressure : 5 bar
Suggested working pressure : 3 bar
Min. working pressure : 1 bar
Max. working temperature : 80°C
Suggested max. water temperature : 60°C

www.rosan.rs

Srbija, 24420 Kanjiža, Dušana Popovića 10.

tel.+381 24-876-744 fax +381 24-876-756, info@rosan.rs

ZERRO