

ARTIKAL
Item

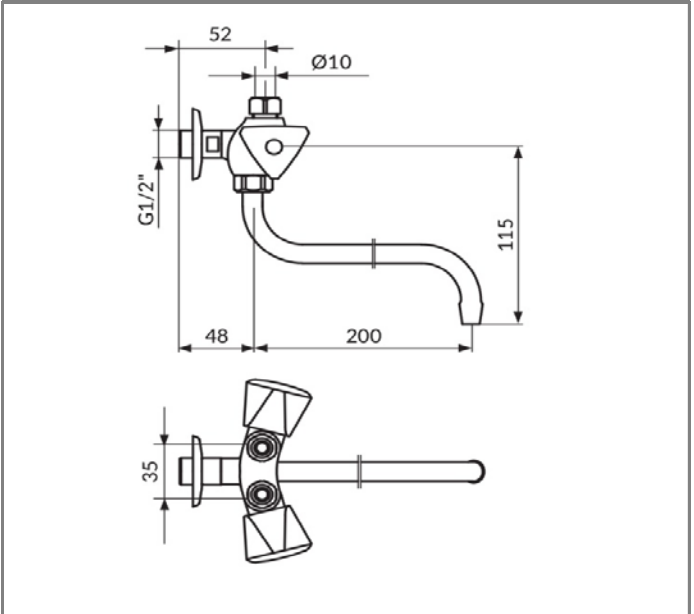
K09101

Baterija za električni prelivni bojler
Wall type mixer, low pressure

SLIKA PROIZVODA
Product picture



TEHNIČKA SKICA
Technical draft



TEHNIČKI PODACI

Dvoručna baterija
Zidna montaža
Otvorena veza bojler-baterija
Smanjeni protok 3 - 5 lit/min
Kompresioni gornji deo sa masnom komorom 3/8"
ABS hromirani trokraki rukohvat
Hromirana rozeta
Pokretni izliv 200mm
Klasa bučnosti II

TECHNICAL DETAILS

Two handle mixer
Wall mounted
Open flow waterheater-mixer
Reduced flow rate 3 - 5 lit/min
Compression cartridge with grease chamber 3/8"
ABS chrome triangle handle
Chromed rosette
Swivel spout 200mm
Noise level II

RADNI USLOVI

Maksimalni radni pritisak: 5 bar
Preporučeni radni pritisak: 3 bar
Minimalni radni pritisak: 1 bar
Maksimalna dozvoljena temperatura: 80°C
Preporučena temperatura vode: 60°C

WORKING CONDITIONS

Max. working pressure : 5 bar
Suggested working pressure : 3 bar
Min. working pressure : 1 bar
Max. working temperature : 80°C
Suggested max. water temperature : 60°C

www.rosan.rs

Srbija, 24420 Kanjiža, Dušana Popovića 10.

tel.+381 24-876-744 fax +381 24-876-756, info@rosan.rs

KLASIK