

ARTIKAL

K11101

Item

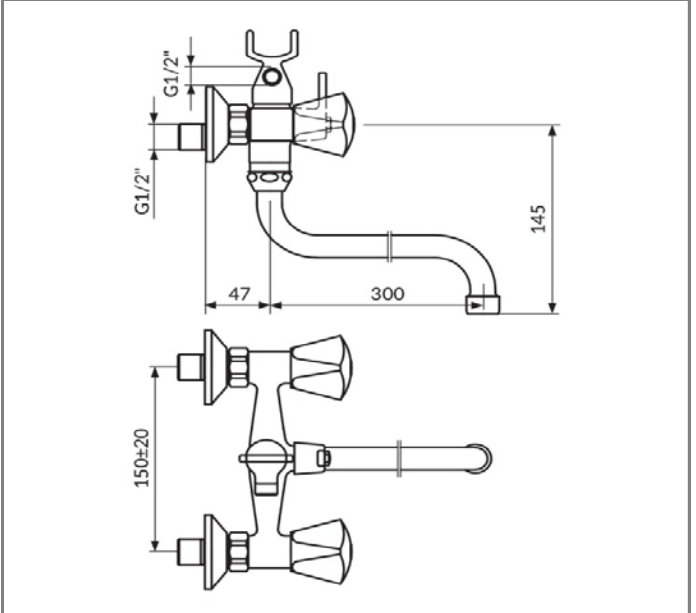
Baterija za kadu - lavabo sa ručnim tušem

Bath & basin mixer, wall type with shower set

SLIKA PROIZVODA
Product picture



TEHNIČKA SKICA
Technical draft



TEHNIČKI PODACI

Dvoručna baterija
Zidna montaža
Regulacija protoka do 5 lit/min na tušu
Kompresioni gornji deo sa masnom komorom 1/2"
Metalni trokraki rukohvat
Duplo pleteno tuš crevo 1.5m
Ručni tuš
Ručni prebacivač
Pokretni izliv 300mm
Heavy Duty ekscentar kolena
Hromirane rozete
Klasa bučnosti I

RADNI USLOVI

Maksimalni radni pritisak: 5 bar
Preporučeni radni pritisak: 3 bar
Minimalni radni pritisak: 1 bar
Maksimalna dozvoljena temperatura: 80°C
Preporučena temperatura vode: 60°C

TECHNICAL DETAILS

Two handle mixer
Wall mounted
Flow regulation on shower up to 5 lit/min
Compression cartridge with grease chamber 1/2"
Metal triangle handle
Double lock shower hose 1.5m
Hand shower
Manual diverter
Swivel spout 300mm
Heavy Duty eccentric connectors
Chromed rosettes
Noise level I

WORKING CONDITIONS

Max. working pressure : 5 bar
Suggested working pressure : 3 bar
Min. working pressure : 1 bar
Max. working temperature : 80°C
Suggested max. water temperature : 60°C

www.rosan.rs

Srbija, 24420 Kanjiža, Dušana Popovića 10.

tel.+381 24-876-744 fax +381 24-876-756, info@rosan.rs

KLASIK