

ARTIKAL  
Item

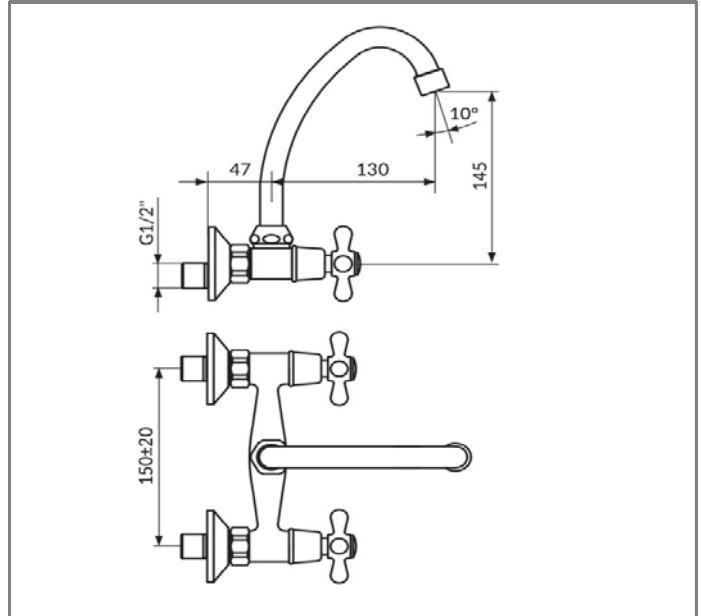
**N03113**

Baterija za sudoperu - lavabo  
**Wall type mixer**

SLIKA PROIZVODA  
Product picture



TEHNIČKA SKICA  
Technical draft



TEHNIČKI PODACI

Dvoručna baterija  
Zidna montaža  
Klasa protoka S  
NEOPERL® PERLATOR® HONEYCOMB  
Flühs® LIFETIME keramički gornji delovi  
Metalni rukohvat  
Heavy Duty ekscentar kolena  
Hromirane rozete  
Pokretni izliv 130mm  
Klasa bučnosti I

TECHNICAL DETAILS

Two handle mixer  
Wall mounted  
Flow class S  
Aerator NEOPERL® PERLATOR® HONEYCOMB  
Flühs® LIFETIME ceramic head parts  
Metal handle  
Heavy Duty eccentric connectors  
Chromed rossetes  
Swivel spout 130mm  
Noise level I

RADNI USLOVI

Maksimalni radni pritisak: 5 bar  
Preporučeni radni pritisak: 3 bar  
Minimalni radni pritisak: 1 bar  
Maksimalna dozvoljena temperatura: 80°C  
Preporučena temperatura vode: 60°C

WORKING CONDITIONS

Max. working pressure : 5 bar  
Suggested working pressure : 3 bar  
Min. working pressure : 1 bar  
Max. working temperature : 80°C  
Suggested max. water temperature : 60°C

[www.rosan.rs](http://www.rosan.rs)

Srbija, 24420 Kanjiža, Dušana Popovića 10.  
tel.+381 24-876-744 fax +381 24-876-756, info@rosan.rs

**NOSTALGIJA**