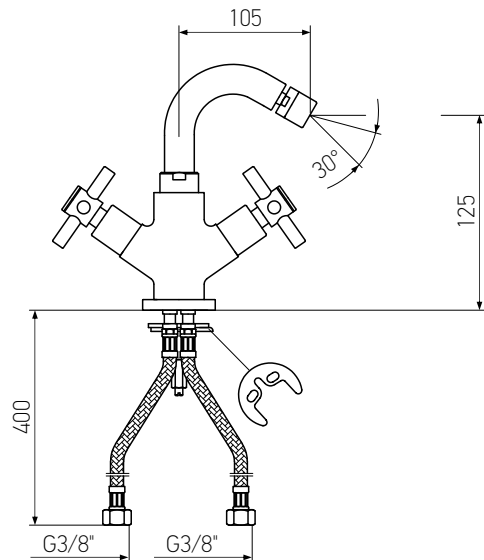




X039101

Baterija za bide

Bidet mixer



SLIKA PROIZVODA
I TEHNIČKI CRTEŽ

PRODUCT PICTURE &
TECHNICAL DRAWING

TEHNIČKI PODACI

Dvoručna baterija
Montiranje na jedan otvor
Klasa protoka Z
NEOPERL® PERLATOR® HONEYCOMB
Flühs® LIFETIME keramički gornji delovi
INOX set za pričvršćenje
IMQ sertifikovana fleksibilna priključna creva
Klasa bučnosti I

TECHNICAL DETAILS

Two handle mixer
Single hole mounted
Flow class Z
Aerator NEOPERL® PERLATOR® HONEYCOMB
Flühs® LIFETIME ceramic head parts
Stainless Steel rapid instalation set
IMQ certified flexible connection hoses
Noise level I

RADNI USLOVI ARMATURA

- Maksimalni radni pritisak **5 bar**
- Preporučeni radni pritisak **3 bar**
- Minimalni radni pritisak **1 bar**
- Maksimalna dozvoljena temperatura **80°C**
- Preporučena temperatura vode **60°C**

WORKING REQUIREMENTS

- Max. operating pressure **5 bar**
- Recommended operating pressure **3 bar**
- Minimum operating pressure **1 bar**
- Maximum operating temperature **80°C**
- Recommended operating temperature **60°C**



SRPS EN 817:2010
SRPS EN 1982:2011
SRPS EN 681-1:2007
EN 12165:2011



Srbija, 24420 Kanjiža, Dušana Popovića 10, tel. +381 24-876-744
fax +381 24-876-756, e-mail: info@rosan.rs **www.rosan.rs**