**TECEsquare II metal toilet flush plate for dual-flush system, with coloured surface****Article number:** 9240850**Colour:** Brushed cool nickel (with anti-fingerprint)**Exhibition samples:** Yes**DU 1:** 1 pc.**DU 2:** 10 pc.**Description:**

Flush plate for TECE cisterns, for front or top actuation. Extra-flat metal actuation with coloured coating and two spring-loaded actuation rockers. Incl. actuation rods, mounting material and disassembly tool. Compatible with insert chute for cleaning tablets.

The majority of surfaces are colour-coordinated with the TECEdrainway and TECEdrainprofile shower profiles.

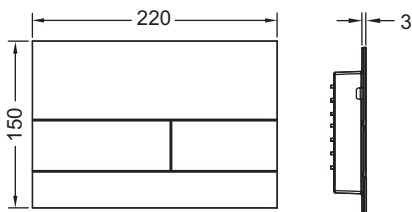
Dimensions (W x H x D): 220 x 150 x 3 mm

Note:

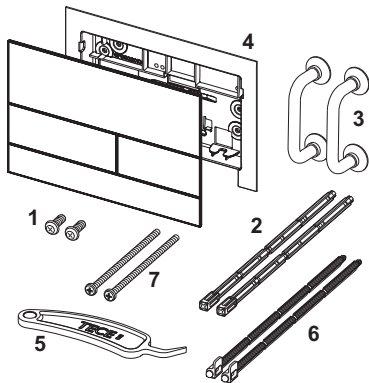
Ensure minimum wall finish of 30 mm in brick-wall construction!

Sales data:

Product name: TECEsquare II metal toilet flush plate for dual-flush system, with coloured surface, Brushed cool nickel (with anti-fingerprint)
Commodity group: 904
Product group: 2009040071



Spare parts:



- | | | |
|---|---------|--|
| 1 | 9820263 | Fastening screws (2003-2020) |
| 2 | 9820022 | Actuation rods (2003-2020) |
| 3 | 9820180 | Bow-type handles |
| 4 | 9820347 | Support frame |
| 5 | 9820390 | Dismounting and programming key |
| 6 | 9820498 | “easy fit” actuation rods (from 2021) |
| 7 | 9820497 | “easy fit” attachment screws (from 2021) |