

**TECEsquare II metal toilet flush plate for dual-flush system with coloured PVD surface****Article number:** 9240836**Colour:** Brushed Black Chrome**Suitable for:** hansgrohe / AXOR**Exhibition samples:** Yes**DU 1:** 1 pc.**DU 2:** 10 pc.**Description:**

Flush plate for TECE cisterns, for front or top actuation. Extra-flat metal flush plate with two spring-mounted actuation rocker buttons. Incl. actuation rods, mounting material and disassembly tool. Compatible with insert chute for cleaning tablets.

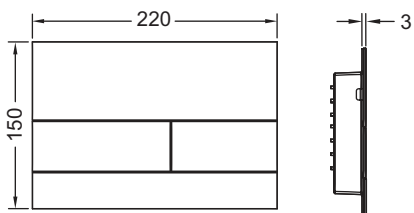
The PVD finishes are colour matched to the TECEdrainprofile shower profile and the latest offers from leading manufacturers including those from the hansgrohe / AXOR collections.

Dimensions (W x H x D): 220 x 150 x 3 mm

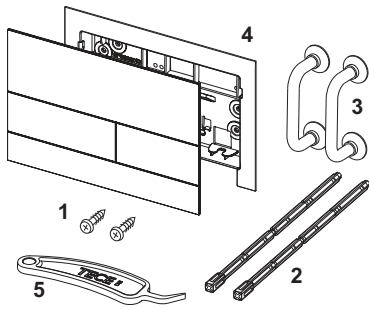
Product supplied with toilet installation frame function!

Sales data:

Product name: TECEsquare II metal toilet flush plate for dual-flush system, "Brushed Black Chrome", dual-flush system
Commodity group: 904
Product group: 2009040071

Dimensional drawings:

Spare parts:



1	9820263	Fastening screws
2	9820022	Actuation rods
3	9820180	Bow-type handles
4	9820347	Support frame
5	9820390	Dismounting and programming key