

# HL137/40

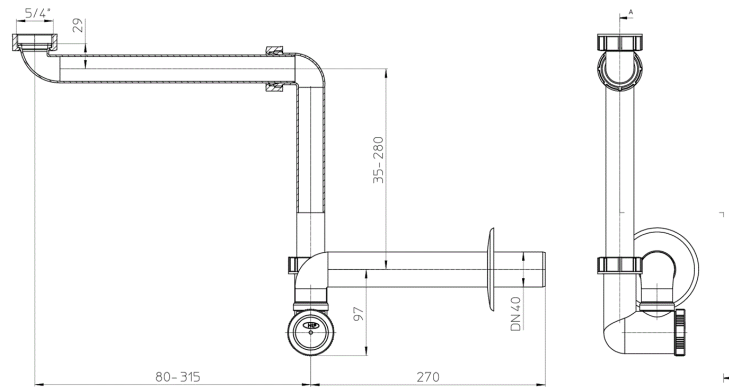
space saver' trap DN40x1 1/4'



space saver' trap DN40 x 1 1/4' with generously cuttable tubes, cleaning eye/tray and rosette; especially for basin substructures and obstruct-fairly basins






## Techn. drawing





## TECHNICAL DATA

<b>material</b>	PP	<b>installation height</b>
<b>dimension</b>	DN40 x 5/4"	<b>grate frame</b>
<b>capacity</b>		<b>grate</b>
<b>weight</b>	0,307	<b>load class</b>

**MAIN DATA****spare parts**

-  **HL01007D**  
gasket wedge shaped T30
-  **HL01046D**  
locking nut 1 1/4'
-  **HL0133.1E**  
cleaning cartridge
-  **HL0133.1EN**  
Cleaning cartridge
-  **HL0137.1E**  
elbow and tube DN32x1 1/4'
-  **HL0137.2E**  
rosette DN40 white
-  **HL0137.4E**  
outlet (HL137)

**attachment**

-  **HL12.3**  
reducer/spacer 1 1/2'x1 1/4'
-  **HL19T.2/40**  
tee DN40x1 1/2' with HL19.2
-  **HL19T/40**  
tee DN40x1 1/2' with HL19
-  **HL34**  
90° connector DN40/50 for outlet pipes DN32 and DN40
-  **HL44**  
mounting plate
-  **HL405B**  
adjustable strap
-  **HL5/40**  
brass soldering connector DN40
-  **HL902T/40**  
air admittance valve 1' with tee DN40x1 1/2'
-  **HL904T**  
air admittance valve DN40 with tee DN40x1 1/2'

**PACKAGING DATA**

## PE-bag

<b>unit</b>	1 [pcs.]
<b>weight</b>	0,322 [kg]
<b>EAN/pack.</b>	9003076003990
<b>height/width/depth</b>	122/125/300 [mm]
<b>volume</b>	0 [m <sup>3</sup> ]

## carton

<b>unit</b>	10 [pcs.]
<b>weight</b>	3,591 [kg]
<b>EAN/pack.</b>	9003076004010
<b>height/width/depth</b>	320/250/410 [mm]
<b>volume</b>	0,006402 [m <sup>3</sup> ]

## single use pallet

<b>unit</b>	450 [pcs.]
<b>weight</b>	172 [kg]
<b>EAN/pack.</b>	
<b>height/width/depth</b>	1800/800/1200 [mm]
<b>volume</b>	1,728 [m <sup>3</sup> ]

## DOWNLOADS

<b>Foto Print</b>	<a href="#">HL137_pr.tif</a>	max.
<b>Foto Web</b>	<a href="#">HL137_B.jpg</a>	640x480/300dpi
<b>Foto Parts List</b>	<a href="#">HL137_gr.jpg</a>	150x150/72dpi
<b>Techn. drawing</b>	<a href="#">HL137_40_1_b.pdf</a>	pdf
<b>CAD</b>	<a href="#">HL137_40_2_b.dxf</a>	dxf
<b>example of use</b>	<a href="#">HL137_30_40_PZ.pdf</a>	pdf
<b>Techn. drawing</b>	<a href="#">HL137_Einbau-Eckventil_b1.pdf</a>	
<b>Example of use</b>	<a href="#">HL137_Einbau-Bsp01_b.pdf</a>	Raumsparsifon