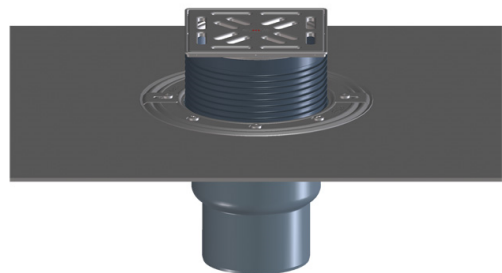


HL3100TH

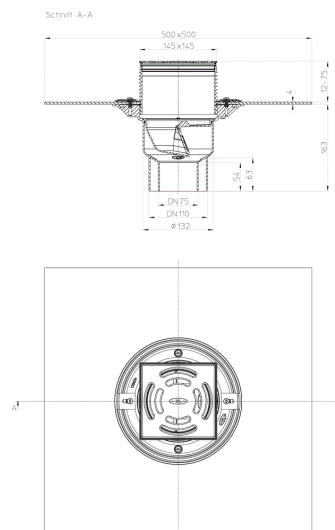
Balcony and terrace drain DN75/110 vertical with bitumen flange, frost-proof stench flap, 145x145mm / 138x138mm



Balcony and terrace drain DN75/110 vertical with pre-mounted bitumen flange for a perfect connection to bitumen waterproofings, frost-proof stench flap, cuttable extension 12-75mm / 145x145mm and stainless steel grate 138x138mm. Incl. lot cover, suspension frame and fixing brackets.



Techn. drawing



TECHNICAL DATA

material	PP	installation height	
dimension	DN75/110	grate frame	12-75mm / 145x145mm
capacity	DN75=2,25 l/s; DN110=2 l/s	grate	Edelstahl 138x138mm

weight	2,29	load class	K - 300kg
EAN	9003076034666	inlet	
		standards	EN1253

MAIN DATA

spare parts



HL05100.4E

Flap cartridge



HL3100THK

Balcony and terrace drain body DN75/110 vertical with bitumen flange



HL151

Flat leaf catcher for balcony and terrace drain series HL3100T and HL5100T



HL619

fixing brackets



HL3910

Grating d 146 mm/ Stainless steel frame 145x145 mm/ Stainless steel grate 138x138 mm, System Klick-Klack



HL03910.1E

Grate stainless steel 138x138mm



HL03910.2E

Grating d 146mm / stainless steel frame 145x145mm incl. O-ring, system Klick-Klack



HL01093D

O-ring 125x4



HL03900.0E

Lot cover 145x145 mm

attachment



HL150

Gravel guard for balcony and terrace drain series HL3100T and HL5100T



HL151

Flat leaf catcher for balcony and terrace drain series HL3100T and HL5100T



HL153

Thermo-insulation for balcony and terrace drain series HL3100T



HL154

Heating kit 18W/230V balcony and terrace drain series HL3100T and HL5100T



HL3911

Extension d 146mm, stainless steel frame (V4A) 145x145mm, stainless steel grate 138x138mm, screwable.



HL05100.7E

Normal siphon complete



HL2100

Siphon PRIMUS for HL3100Pr and HL5100Pr

Alternatives

**HL5100T**

Balcony and terrace drain DN75 horizontal with frost-proof stretch flap, 145x145mm / 138x138mm

extensions**HL3400**

Elongation element d 146 mm/ 200 mm incl. O-ring

**HL8500**

Elongation element 200 mm/ d 146 mm with flange and O-ring

**HL8500H**

Extension with bitumen flange for HL3100T and 5100T series

Waterproofing Kits**HL8300**

Sealing set with EPDM-collar 500x500 mm

**HL8300.0**

Sealing set with clamp ring stainless steel

**HL8300.H**

Sealing set with bitumen collar 500x500 mm

**HL8300.M**

Sealing kit with laminated fleece

**HL8300.P**

Sealing kit with solid PP flange d 350 mm

**HL8300.PP**

Sealing kit with solid PVC flange d 350 mm

PACKAGING DATA**carton**

unit	1 [pcs.]
weight	2,749 [kg]
EAN/pack.	9003076034666
height/width/depth	249/392/392 [mm]
volume	0,038262336 [m ³]

single use pallet

unit	36 [pcs.]
weight	109 [kg]
EAN/pack.	
height/width/depth	1700/800/1200 [mm]
volume	1,632 [m ³]

DOWNLOADS

Foto Print	HL3100TH_pr.tif	max.
Foto Web	HL3100TH_B.jpg	640x480/300dpi
Foto Parts List	HL3100TH_gr.jpg	150x150/72dpi
Techn. drawing	HL3100TH_1_b.pdf	pdf
CAD	HL3100TH_2_b1.dxf	dxf
example of use	HL3100TH_PZ.pdf	pdf