

## HL310NPr-3000

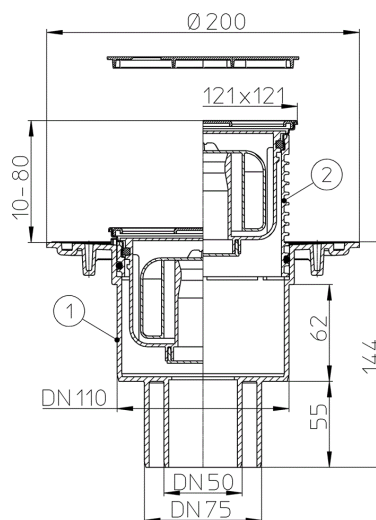
floor drain DN50/75/110 vertical with trap seal PRIMUS, 121x121mm KLICK-KLACK/115x115mm



floor drain DN50/75/110 vertical with flange, trap seal PRIMUS, cut-to-size grate frame 10 - 80 mm / stainless steel frame KLICK-KLACK 121 x 121 mm, stainless steel grate 115 x 115 mm and supporting frame / cover. Comes with lot cover. System "KLICK-KLACK" - the new arresting system for grates. Loose or lost grates belong to the past. Simply insert the grate into the frame and "click" it in - ready!



### Techn. drawing



### TECHNICAL DATA

<b>material</b>	PP/PE/Edelstahl	<b>installation height</b>	158 mm
<b>dimension</b>	DN50/75/110	<b>grate frame</b>	10-80 mm/121 x 121 mm V2A
<b>capacity</b>	0,5 l/s	<b>grate</b>	Edelstahl 115 x 115 mm

<b>weight</b>	0,74	<b>load class</b>	K - 300 kg
<b>EAN</b>	9003076016440	<b>inlet</b>	
		<b>standards</b>	

## MAIN DATA

### spare parts



#### HL037Pr.1E

Stainless steel grate 115x115mm



#### HL3000Pr

grating d 110mm/stainless steel frame 121x121mm/115x115mm with trap seal PRIMUS. System "KLICK-KLACK". Comes with supporting frame/cover.



#### HL037Pr.1E

Stainless steel grate 115x115mm



#### HL2000KK

trap seal PRIMUS



#### HL01086D

O-ring 88x5mm



#### HL3200

grate frame d 110/100mm/stainless steel frame (316) 121x121mm. System "KLICK-KLACK". Comes with supporting frame/cover.



#### HL01067D

O-ring 92x4mm



#### HL037N.OE

supporting frame/cover 123x123mm



#### HL310NK

floor drain body DN50/75/110 vertical

### attachment



#### HL0510.7EKK

trap seal cartridge



#### HL3127

Stainless steel grate (V4A) 115x115mm 'Primus Design'



#### HL3210

Extension d 110/100mm, stainless steel frame (V4A) 121x121mm, incl. O-Ring. System "Klick-Klack".



#### HL619

fixing brackets



#### HL840

fire collar R90 for HL310N series



#### HL845

formwork-core with center-ring for HL840

### Alternatives



#### HL310N-3000

floor drain DN50/75/110 vertical, 121x121mm KLICK-KLACK/115x115mm

## extensions



### HL340N

extension 80mm/d 110mm incl. O-ring



### HL85N

extension with flange incl. O-ring



### HL85NC

extension d 110mm CeraDrain with polymer concrete collar incl. O-ring



### HL85NH

extension incl. O-ring with bitumen membrane

## Waterproofing Kits



### HL83

waterproofing kit with EPDM collar 400x400mm



### HL83.0

waterproofing kit



### HL83.H

waterproofing kit with bitumen membrane d 400mm



### HL83.M

Sealing kit with laminated fleece



### HL83.P

waterproofing kit with flange PVC d 287mm

## PACKAGING DATA

### carton

unit	1 [pcs.]
weight	1 [kg]
EAN/pack.	9003076016440
height/width/depth	155/225/295 [mm]
volume	0,010288125 [m <sup>3</sup> ]

### single use pallet

unit	143 [pcs.]
weight	153 [kg]
EAN/pack.	
height/width/depth	1950/800/1200 [mm]
volume	1,872 [m <sup>3</sup> ]

## DOWNLOADS

<b>Foto Print</b>	<b>HL310NPr_3000_pr.tif</b>	max.
<b>Foto Web</b>	<b>HL310NPr_3000_B.jpg</b>	640x480/300dpi
<b>Foto Parts List</b>	<b>HL310NPr_3000_gr.jpg</b>	150x150/72dpi
<b>Techn. drawing</b>	<b>HL310NPR3000_a.pdf</b>	pdf
<b>CAD</b>	<b>310NPR3000_2_a.dxf</b>	dxf
<b>example of use</b>	<b>HL310NPr-3000_PZ.pdf</b>	pdf