

HL5100TK

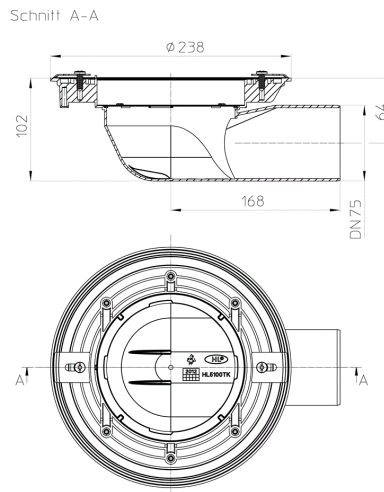
Balcony and terrace drain body DN75 horizontal



Balcony and terrace drain body DN75 horizontal, incl. lot cover and fixing brackets.



Techn. drawing



TECHNICAL DATA

material	PP	installation height
dimension	DN75	grate frame
capacity		grate
weight	0,54	load class

MAIN DATA**spare parts****HL03100.OE**

Lot cover

**HL619**

fixing brackets

attachment**HL150**

Gravel guard for balcony and terrace drain series HL3100T and HL5100T

**HL151**

Flat leaf catcher for balcony and terrace drain series HL3100T and HL5100T

**HL152**

Thermo-insulation for balcony and terrace drain series HL5100T

**HL154**

Heating kit 18W/230V balcony and terrace drain series HL3100T and HL5100T

**HL3910**

Grating d 146 mm/ Stainless steel frame 145x145 mm/ Stainless steel grate 138x138 mm, System Klick-Klack

**HL05100.7E**

Normal siphon complete

**HL2100**

Siphon PRIMUS for HL3100Pr and HL5100Pr

**HL3911**

Extension d 146mm, stainless steel frame (V4A) 145x145mm, stainless steel grate 138x138mm, screwable.

**HL05100.7E**

Normal siphon complete

**HL2100**

Siphon PRIMUS for HL3100Pr and HL5100Pr

extensions**HL3400**

Elongation element d 146 mm/ 200 mm incl. O-ring

**HL8500**

Elongation element 200 mm/ d 146 mm with flange and O-ring

**HL8500H**

Extension with bitumen flange for HL3100T and 5100T series

Waterproofing Kits**HL8300**

Sealing set with EPDM-collar 500x500 mm

**HL8300.O**

Sealing set with clamp ring stainless steel

**HL8300.H**

Sealing set with bitumen collar 500x500 mm

**HL8300.M**

Sealing kit with laminated fleece

**HL8300.P**

Sealing kit with solid PP flange d 350 mm

**HL8300.PP**

Sealing kit with solid PVC flange d 350 mm

used with**HL5100T**

Balcony and terrace drain DN75 horizontal with frost-proof stretch flap, 145x145mm / 138x138mm

**HL5100TG**

Drain DN75 horizontal with frost-proof stretch flap, cast iron frame 190x190mm, cast iron grate 175x175mm

PACKAGING DATA**carton**

unit	1 [pcs.]
weight	0,652 [kg]
EAN/pack.	9003076034727
height/width/depth	175/292/392 [mm]
volume	0,0200312 [m ³]

single use pallet

unit	72 [pcs.]
weight	58,95 [kg]
EAN/pack.	
height/width/depth	1900/800/1200 [mm]
volume	1,824 [m ³]

DOWNLOADS

Foto Web	HL5100TK_B.jpg	640x480/300dpi
Foto Parts List	HL5100TK_gr.jpg	150x150/72dpi
Techn. drawing	HL5100TK_1_a.pdf	pdf
CAD	HL5100TK_2_a1.dxf	dxf

