

HL510NPr

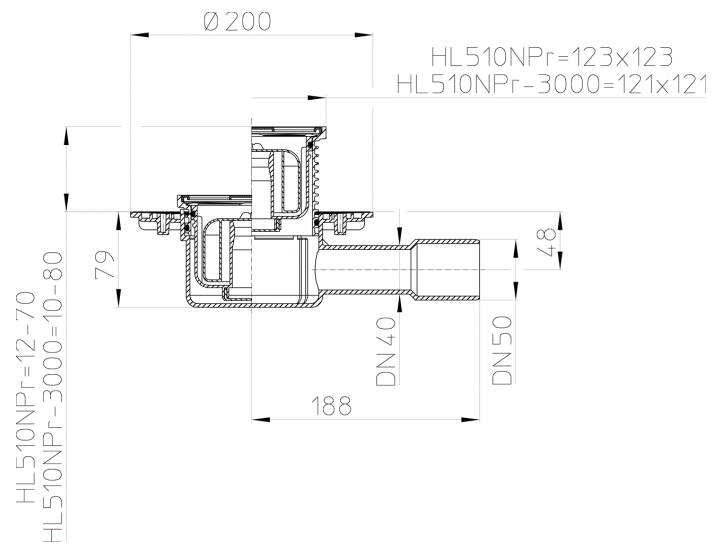
floor drain DN40/50 horizontal with trap seal PRIMUS, 123x123mm/115x115mm



floor drain DN40/50 horizontal with flange, trap seal PRIMUS, cut-to-size grate frame 12 - 70 mm / 123 x 123 mm and stainless steel grate 115 x 115 mm. Comes with lot cover.



Techn. drawing



TECHNICAL DATA

material	PE	installation height	93 mm
dimension	DN40/50	grate frame	12-70 mm/123 x 123 mm
capacity	0,50 l/s	grate	Edelstahl 115 x 115 mm
weight	0,747	load class	K - 300 kg

MAIN DATA**spare parts****HL037Pr.1E**

Stainless steel grate 115x115mm

**HL37NPr**

grating d 110mm/123x123mm/115x115mm with trap seal PRIMUS. Comes with lot cover

**HL037N.2E**

grate frame d 110mm/90mm/123x123mm incl. O-ring

**HL01067D**

O-ring 92x4mm

**HL037N.OE**

supporting frame/cover 123x123mm

**HL037Pr.1E**

Stainless steel grate 115x115mm

**HL2000**

trap seal PRIMUS

**HL01067D**

O-ring 92x4mm

**HL510NK**

floor drain body DN40/50 horizontal

attachment**HL0510.7E**

trap seal cartridge

**HL3127**

Stainless steel grate (V4A) 115x115mm 'Primus Design'

**HL619**

fixing brackets

**HL6200**

Sound protection pad 500x500mm

**HL82**

heating kit 18W/230V

Alternatives**HL510N**

floor drain DN40/50 horizontal 123x123mm/115x115mm

**HL510NPrG**

floor drain DN40/50 horizontal with trap seal PRIMUS, 150x150mm/137x137mm cast iron

**HL510NPrR**

floor drain DN40/50 horizontal with trap seal PRIMUS, round d 133mm/d 112mm

extensions**HL340N**

extension 80mm/d 110mm incl. O-ring

**HL85N**

extension with flange incl. O-ring

**HL85NC**

extension d 110mm CeraDrain with polymer concrete collar incl. O-ring

**HL85NH**

extension incl. O-ring with bitumen membrane

Waterproofing Kits**HL83**

waterproofing kit with EPDM collar 400x400mm

**HL83.0**

waterproofing kit

**HL83.H**

waterproofing kit with bitumen membrane d 400mm

**HL83.M**

Sealing kit with laminated fleece

**HL83.P**

waterproofing kit with flange PVC d 287mm

PACKAGING DATA**carton**

unit	1 [pcs.]
weight	0,936 [kg]
EAN/pack.	9003076004737
height/width/depth	155/225/295 [mm]
volume	0,010288125 [m ³]

single use pallet

unit	143 [pcs.]
weight	144 [kg]
EAN/pack.	
height/width/depth	1950/800/1200 [mm]
volume	1,872 [m ³]

DOWNLOADS

Foto Print	HL510NPr_pr.tif	max.
Foto Web	HL510NPr_B.jpg	640x480/300dpi
Foto Parts List	HL510NPr_gr.jpg	150x150/72dpi
Techn. drawing	HL510NPR_b.pdf	pdf
CAD	HL510NPR_2_a.dxf	dxf
example of use	HL510NPr_PZ.pdf	pdf