

## HL510NPrG

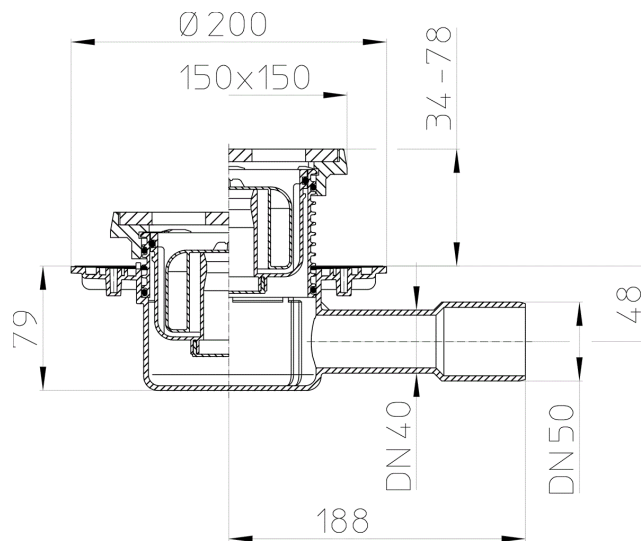
floor drain DN40/50 horizontal with trap seal PRIMUS, 150x150mm/137x137mm cast iron



floor drain DN40/50 horizontal with flange, trap seal PRIMUS, cut-to-size plastic extension 34 - 78 mm, cast iron grate frame 150 x 150 mm and - grate 137 x 137 mm. Comes with lot cover.



### Techn. drawing



### TECHNICAL DATA

<b>material</b>	PE	<b>installation height</b>	93 mm
<b>dimension</b>	DN40/50	<b>grate frame</b>	34-78 mm/150 x 150 mm Guss
<b>capacity</b>	0,50 l/s	<b>grate</b>	Gusseisen 137 x 137 mm

<b>weight</b>	2,43	<b>load class</b>	L - 1,5 t
<b>EAN</b>	9003076004713	<b>inlet</b>	
		<b>standards</b>	

## MAIN DATA

### spare parts



#### HL39PrG

grating d 110mm/cast iron frame 150x150mm/137x137mm cast iron with trap seal PRIMUS



#### HL01067D

O-ring 92x4mm



#### HL037G.1E

cast iron grate 137x137mm



#### HL037G.2E

Grating d 110mm, cast iron frame 150x150mm



#### HL01067D

O-ring 92x4mm



#### HL2000

trap seal PRIMUS



#### HL01067D

O-ring 92x4mm



#### HL510NK

floor drain body DN40/50 horizontal

### attachment



#### HL0510.7E

trap seal cartridge



#### HL619

fixing brackets



#### HL6200

Sound protection pad 500x500mm

### Alternatives



#### HL510NG

floor drain DN40/50 horizontal 150x150mm/137x137mm cast iron

### extensions



#### HL340N

extension 80mm/d 110mm incl. O-ring



#### HL85N

extension with flange incl. O-ring



#### HL85NC

extension d 110mm CeraDrain with polymer concrete collar incl. O-ring

**HL85NH**

extension incl. O-ring with bitumen membrane

**Waterproofing Kits****HL83**

waterproofing kit with EPDM collar 400x400mm

**HL83.0**

waterproofing kit

**HL83.H**

waterproofing kit with bitumen membrane d 400mm

**HL83.M**

Sealing kit with laminated fleece

**HL83.P**

waterproofing kit with flange PVC d 287mm

**HL83.PP**

Sealing set with PP flange

**PACKAGING DATA****carton**

<b>unit</b>	1 [pcs.]
<b>weight</b>	2,62 [kg]
<b>EAN/pack.</b>	9003076004713
<b>height/width/depth</b>	155/225/295 [mm]
<b>volume</b>	0,010288125 [m <sup>3</sup> ]

**DOWNLOADS**

<b>Foto Print</b>	<b>HL510NG_pr.tif</b>	max.
<b>Foto Web</b>	<b>HL510NG_B.jpg</b>	640x480/300dpi
<b>Foto Parts List</b>	<b>HL510NG_gr.jpg</b>	150x150/72dpi
<b>Techn. drawing</b>	<b>HL510NPRG_b.pdf</b>	pdf
<b>CAD</b>	<b>HL510NG_2_b.dxf</b>	dxf