

HL62/1

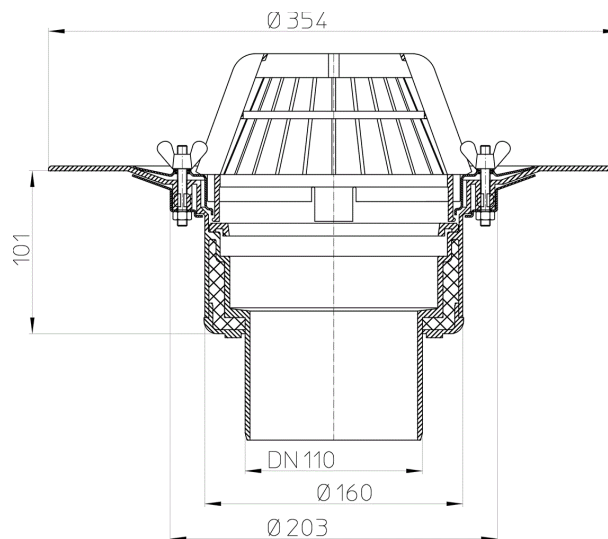
Flat-roof drain DN110 with clamping ring



Flat-roof drain DN110 vertical with insulated drain body, flange with stainless steel clamping ring (- dress the membrane over the flange and clamp it - ready!) and domed plastic grate d 180 mm. Comes with lot cover.



techn. drawing



MAIN DATA

spare parts



HL062.1E
domed plastic grate



HL062.3E
stainless steel clamping ring

**HL062.4E**

butterfly nuts

**HL062N.4E**

6 pcs. hexagon nut

**HL170**

flat grate d 150mm

attachment**HL160**

gravel guard d 150mm

**HL170**

flat grate d 150mm

**HL175**

domed grate stainless steel

**HL635**

drainage grating 362x362mm/240x240mm aluminium

**HL66**

grating d 145mm sleek/(316) stainless steel frame 150x150mm/138x138mm (316) secured

**HL01058D**

tailback gasket for stainless steel flange 220x155mm

**HL062B.3E**

adapter

**HL160**

gravel guard d 150mm

**HL66.1**

grating d 145mm sleek/(316) stainless steel frame 150x150mm/138x138mm (316) secured and slip-resistant

**HL01058D**

tailback gasket for stainless steel flange 220x155mm

**HL062B.3E**

adapter

**HL160**

gravel guard d 150mm

**HL66.9**

grating d 145mm fluted/148x148mm/138x138mm

**HL062B.3E**

adapter

**HL160**

gravel guard d 150mm

**HL67**

grating round d 145mm sleek/(316) stainless steel frame d 155mm/d 145mm

**HL01058D**

tailback gasket for stainless steel flange 220x155mm

**HL062B.3E**

adapter

**HL160**

gravel guard d 150mm

Alternatives**HL62.1/1**

flat-roof drain DN110 with clamping ring, heated (10-30W/230V)

**HL62B/1**

flat-roof drain DN110 with clamping ring. Walkable - 148x148mm/137x137mm

**HL62H/1**

flat-roof drain DN110 with bitumen membrane

**HL62P/1**

flat-roof drain DN110 with PVC collar

Extensions**HL350**

extension 130mm/d 145mm

**HL350.1**

extension 180mm/d 145mm with flange and waterproofing kit HL84

**HL350.1H**

extension 180mm/d 145mm with bitumen membrane

**HL65**

extension 300mm/d 125mm with clamping ring

**HL65H**

extension 300mm/d 125mm with bitumen membrane

**HL65P**

extension 345mm/d 125mm with PVC collar

Waterproofing Kits**HL84.CU**

waterproofing kit with copper sheet d 500mm

**HL84.E**

waterproofing kit with zincplated steel sheet d 500mm

**HL84.H**

waterproofing kit with bitumen membrane d 500mm

TECHNICAL DATA

material	PP	installation height	100 mm
dimension	DN110	grate frame	
capacity	10,7 l/s	grate	Laubfangkorb d 145 mm
weight	1,49	load class	
EAN	9003076800629	inlet	

PACKAGING DATA

carton

unit	1 [pcs.]
weight	1,93 [kg]
EAN/pack.	9003076800629
height/width/depth	180/385/385 [mm]
volume	0,0266805 [m ³]

single use pallet

unit	60 [pcs.]
weight	128 [kg]
EAN/pack.	
height/width/depth	1950/800/1200 [mm]
volume	1,872 [m ³]

DOWNLOADS

Foto Print	HL62_1_pr.tif	max.
Foto Web	HL62_1_B.jpg	640x480/300dpi
Foto Symbol	HL62_1_gr.jpg	150x150/72dpi
techn. drawing	HL62_1_pr.tif	max.
techn. drawing	HL62_1_a.pdf	pdf
CAD	HL62_1_2_a.dxf	dxf
example of use	HL62_1_PZ.pdf	pdf