

HL62B/1

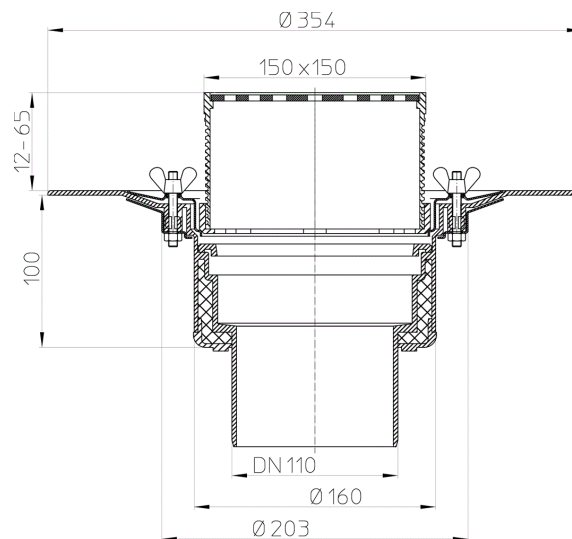
flat-roof drain DN110 with clamping ring. Walkable - 148x148mm/137x137mm



flat-roof drain DN110 vertical with insulated drain body, flange with stainless steel clamping ring (- dress the membrane over the flange and clamp it - ready!), cut-to-size grate frame 12 - 65 mm / 147 x 147 mm and stainless steel grate 137 x 137 mm. Comes with lot cover.



Techn. drawing



TECHNICAL DATA

material	PP	installation height	120mm
dimension	DN110	grate frame	12-65mm/148x148mm
capacity	6,0 l/s	grate	Edelstahl 137x137mm
weight	1,78	load class	K - 300 kg

MAIN DATA**spare parts****HL062.3E**

stainless steel clamping ring

**HL062.4E**

butterfly nuts

**HL062B.3E**

adapter

**HL062N.4E**

6 pcs. hexagon nut

**HL170**

flat grate d 150mm

**HL66.9**

grating d 145mm fluted/148x148mm/138x138mm

**HL0317.1E**

stainless steel grate 138x138mm

**HL062B.2E**

grate frame d 145mm/90mm/148x148mm

**HL066.4E**

O-ring 135x2,5mm

attachment**HL160**

gravel guard d 150mm

**HL635**

drainage grating 362x362mm/240x240mm aluminium

**HL66**

grating d 145mm sleek/(316) stainless steel frame 150x150mm/138x138mm (316) secured

**HL01058D**

tailback gasket for stainless steel flange 220x155mm

**HL062B.3E**

adapter

**HL160**

gravel guard d 150mm

**HL66.1**

grating d 145mm sleek/(316) stainless steel frame 150x150mm/138x138mm (316) secured and slip-resistant

**HL01058D**

tailback gasket for stainless steel flange 220x155mm



HL062B.3E
adapter



HL160
gravel guard d 150mm



HL67
grating round d 145mm sleek/(316) stainless steel frame d 155mm/d 145mm



HL01058D
tailback gasket for stainless steel flange 220x155mm



HL062B.3E
adapter



HL160
gravel guard d 150mm

Alternatives



HL62.1B/1
flat-roof drain DN110 with clamping ring, heated (10-30W/230V). Walkable - 148x148mm/137x137mm



HL62BH/1
flat-roof drain DN110 with bitumen membrane. Walkable - 148x148mm/137x137mm



HL62BP/1
flat-roof drain DN110 with PVC collar. Walkable - 148x148mm/137x137mm

extensions



HL350
extension 130mm/d 145mm



HL350.1
extension 180mm/d 145mm with flange and waterproofing kit HL84



HL350.1H
extension 180mm/d 145mm with bitumen membrane



HL65
extension 300mm/d 125mm with clamping ring



HL65H
extension 300mm/d 125mm with bitumen membrane



HL65P
extension 345mm/d 125mm with PVC collar

Waterproofing Kits



HL84.CU
waterproofing kit with copper sheet d 500mm



HL84.E
waterproofing kit with zincplated steel sheet d 500mm



HL84.H
waterproofing kit with bitumen membrane d 500mm

PACKAGING DATA

carton

unit	1 [pcs.]
weight	2,23 [kg]
EAN/pack.	9003076806256
height/width/depth	180/385/385 [mm]
volume	0,0266805 [m ³]

single use pallet

unit	60 [pcs.]
weight	144 [kg]
EAN/pack.	
height/width/depth	2100/800/1200 [mm]
volume	2,016 [m ³]

DOWNLOADS

Foto Print	HL62B_pr.tif	max.
Foto Web	HL62B_B.jpg	640x480/300dpi
Foto Parts List	HL62B_gr.jpg	150x150/72dpi
Techn. drawing	HL62B_1_a.pdf	pdf
CAD	HL62B_1_2_a.dxf	dxf
example of use	HL62B_1_PZ.pdf	pdf