

## HL64H

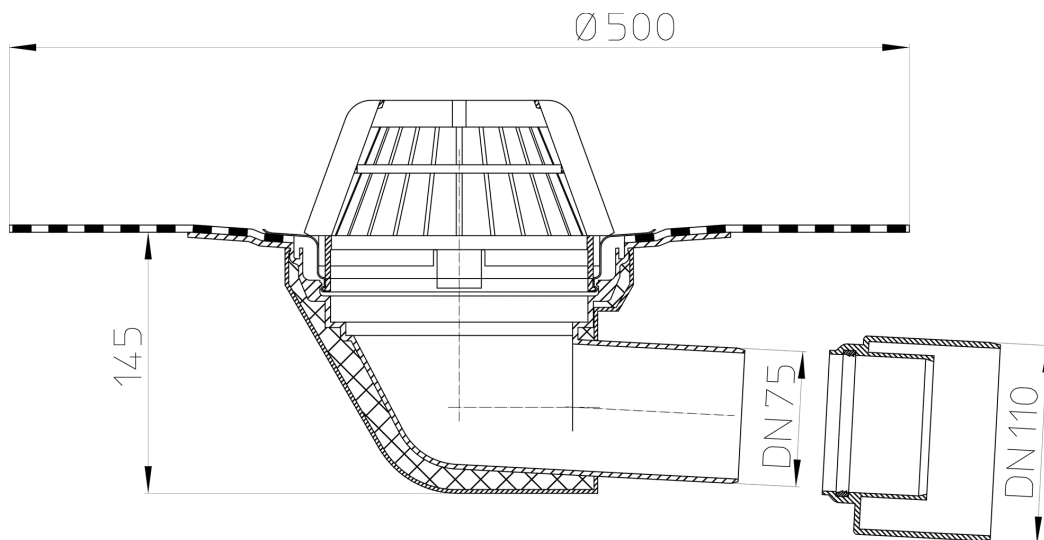
flat-roof drain DN75/110 horizontal with bitumen membrane



flat-roof drain DN75/110 horizontal with insulated drain body, bitumen membrane d 500 mm for perfect and easy lap-joint waterproofing with bituminous membranes and domed plastic grate d 180 mm. Comes with lot cover.




### techn. drawing




### MAIN DATA

#### spare parts

 **HL0317.4E**  
reduction DN110xDN75

 **HL062.1E**  
domed plastic grate

#### attachment

 **HL160**  
gravel guard d 150mm



**HL170**  
flat grate d 150mm



**HL175**  
domed grate stainless steel



**HL635**  
drainage grating 362x362mm/240x240mm aluminium



**HL66**  
grating d 145mm sleek/(316) stainless steel frame 150x150mm/138x138mm (316) secured



**HL01058D**  
tailback gasket for stainless steel flange 220x155mm



**HL062B.3E**  
adapter



**HL160**  
gravel guard d 150mm



**HL66.1**  
grating d 145mm sleek/(316) stainless steel frame 150x150mm/138x138mm (316) secured and slip-resistant



**HL01058D**  
tailback gasket for stainless steel flange 220x155mm



**HL062B.3E**  
adapter



**HL160**  
gravel guard d 150mm



**HL66.9**  
grating d 145mm fluted/148x148mm/138x138mm



**HL062B.3E**  
adapter



**HL160**  
gravel guard d 150mm



**HL67**  
grating round d 145mm sleek/(316) stainless steel frame d 155mm/d 145mm



**HL01058D**  
tailback gasket for stainless steel flange 220x155mm



**HL062B.3E**  
adapter



**HL160**  
gravel guard d 150mm

### Alternatives



**HL64.1H**  
flat-roof drain DN75/110 horizontal with bitumen membrane heated (10-30W/230V)



**HL64BH**  
flat-roof drain DN75/110 horizontal with bitumen membrane. Walkable - 148x148mm/137x137mm

### Extensions



**HL350**  
extension 130mm/d 145mm



**HL350.1**  
extension 180mm/d 145mm with flange and waterproofing kit HL84



**HL350.1H**  
extension 180mm/d 145mm with bitumen membrane



**HL65**  
extension 300mm/d 125mm with clamping ring



**HL65H**  
extension 300mm/d 125mm with bitumen membrane



**HL65P**  
extension 345mm/d 125mm with PVC collar

## TECHNICAL DATA

<b>material</b>	PP	<b>installation height</b>	147mm
<b>dimension</b>	DN75/110	<b>grate frame</b>	
<b>capacity</b>	DN75: 10 l/s; DN110: 6 l/s	<b>grate</b>	Laubfangkorb d 145mm
<b>weight</b>	1,95	<b>load class</b>	
<b>EAN</b>	9003076801640	<b>inlet</b>	
		<b>standards</b>	

## PACKAGING DATA

### carton

<b>unit</b>	1 [pcs.]
<b>weight</b>	2,4 [kg]
<b>EAN/pack.</b>	9003076801640
<b>height/width/depth</b>	225/385/385 [mm]
<b>volume</b>	0,033350625 [m <sup>3</sup> ]

### single use pallet

<b>unit</b>	60 [pcs.]
<b>weight</b>	154 [kg]
<b>EAN/pack.</b>	
<b>height/width/depth</b>	2000/800/1200 [mm]
<b>volume</b>	1,92 [m <sup>3</sup> ]

## DOWNLOADS

<b>Foto Print</b>	<b><a href="#">HL64H_pr.tif</a></b>	max.
<b>Foto Web</b>	<b><a href="#">HL64H_B.jpg</a></b>	640x480/300dpi
<b>Foto Symbol</b>	<b><a href="#">HL64H_gr.jpg</a></b>	150x150/72dpi
<b>techn. drawing</b>	<b><a href="#">HL64H_b.pdf</a></b>	pdf
<b>CAD</b>	<b><a href="#">HL64H_2_b.dxf</a></b>	dxf
<b>example of use</b>	<b><a href="#">HL64H_PZ.pdf</a></b>	pdf