

HL80.1

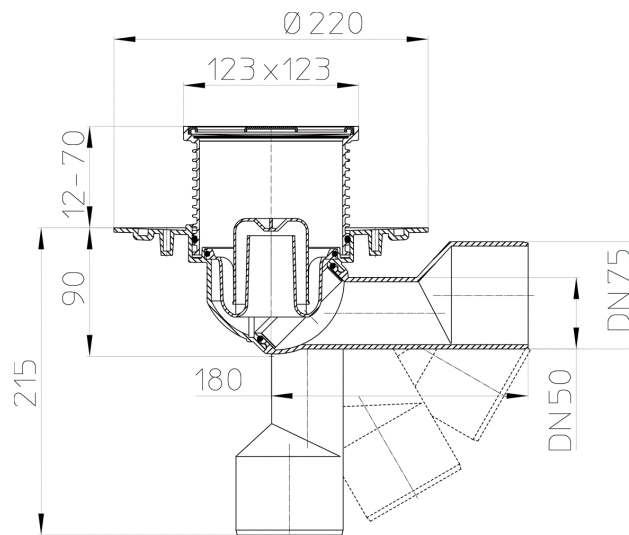
floor drain DN50/75 ball-joint with trap seal, 123x123mm/115x115mm



floor drain DN50/75 with ball-joint outlet (for horizontal and vertical use), flange, trap seal, cut-to-size plastic grate frame 12 - 70 mm / 123 x 123 mm and stainless steel grate 115 x 115 mm. Comes with lot cover.



techn. drawing



MAIN DATA

spare parts



HL080.5E
trap cartridge



HL37N
grating d 110mm/123x123mm/115x115mm. Comes with lot cover



HL037N.2E
grate frame d 110mm/90mm/123x123mm incl. O-ring



HL01067D
O-ring 92x4mm



HL037N.OE
supporting frame/cover 123x123mm



HL037Pr.1E
Stainless steel grate 115x115mm



HL80K
floor/balcony and terrace drain body DN50/75 ball-joint

attachment



HL080.4E
flap cartridge



HL180
gravel guard d 110mm



HL3120
stainless steel grate (316) 115x115mm "Quadra"



HL3121
stainless steel grate (316) 115x115mm "Seine"



HL3122
stainless steel grate (316) 115x115mm "Loire"



HL3123
stainless steel grate (316) 115x115mm "Orinoko"



HL3124
stainless steel grate (316) 115x115mm "Nil"



HL3125
stainless steel grate (316) 115x115mm "Yukon"



HL3127
Stainless steel grate (V4A) 115x115mm 'Primus Design'



HL619
fixing brackets



HL82
heating kit 18W/230V

Alternatives



HL80
balcony and terrace drain DN50/75 ball-joint with frost-proof flap seal, 123x123mm/115x115mm



HL80.1C
floor drain DN50/75 CeraDrain ball-joint with polymer concrete collar and trap seal, 121x121mm/115x115mm



HL80.1CR
floor drain DN50/75 CeraDrain ball-joint with polymer concrete collar and trap seal, round d 133mm/d 112mm



HL80.1H
floor drain DN50/75 ball-joint with bitumen membrane and trap seal, 123x123mm/115x115mm



HL80.1HR
floor drain DN50/75 ball-joint with bitumen membrane and trap seal, round d 131mm/d 112mm



HL80.1R
floor drain DN50/75 ball-joint with trap seal, round d 133mm/d 112mm

**HL80C**

balcony and terrace drain DN50/75 CeraDrain ball-joint with polymer concrete collar and frost-proof flap seal, 123x123mm/115x115mm

**HL80CR**

balcony and terrace drain DN50/75 CeraDrain ball-joint with polymer concrete collar and frost-proof flap seal, round d 133mm/d 112mm

**HL80H**

balcony and terrace drain DN50/75 ball-joint with bitumen membrane and frost-proof flap seal, 123x123mm/115x115mm

**HL80HR**

balcony and terrace drain DN50/75 ball-joint with bitumen membrane and frost-proof flap seal, round d 131mm/d 112mm

Extensions**HL340N**

extension 80mm/d 110mm incl. O-ring

**HL85N**

extension with flange incl. O-ring

**HL85NC**

extension d 110mm CeraDrain with polymer concrete collar incl. O-ring

**HL85NH**

extension incl. O-ring with bitumen membrane

Waterproofing Kits**HL83**

waterproofing kit with EPDM collar 400x400mm

**HL83.0**

waterproofing kit

**HL83.H**

waterproofing kit with bitumen membrane d 400mm

**HL83.M**

Sealing kit with laminated fleece

**HL83.P**

waterproofing kit with flange PVC d 287mm

**HL83.PP**

Sealing set with PP flange

TECHNICAL DATA

material	PP/PE	installation height	103 mm
dimension	DN50/75	grate frame	12-71mm/123x123mm
capacity	0,5 l/sec	grate	Edelstahl 115x115mm
weight	0,556	load class	K - 300 kg
EAN	9003076700813	inlet	
		standards	

PACKAGING DATA

carton

unit	1 [pcs.]
weight	0,745 [kg]
EAN/pack.	9003076700813
height/width/depth	155/225/295 [mm]
volume	0,010288125 [m ³]

single use pallet

unit	143 [pcs.]
weight	117 [kg]
EAN/pack.	9003076108015
height/width/depth	1900/800/1200 [mm]
volume	1,824 [m ³]

DOWNLOADS

Foto Print	HL80x1_pr.tif	max.
Foto Web	HL80_1_B.jpg	640x480/300dpi
Foto Symbol	HL80_1_gr.jpg	150x150/72dpi
techn. drawing	HL80_1_c.pdf	pdf
CAD	HL80_2_c.dxf	dxf
example of use	HL80_1_PZ.pdf	pdf