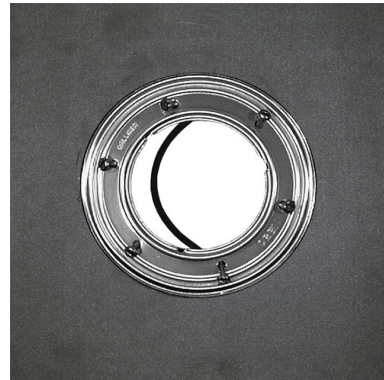


## HL83.H

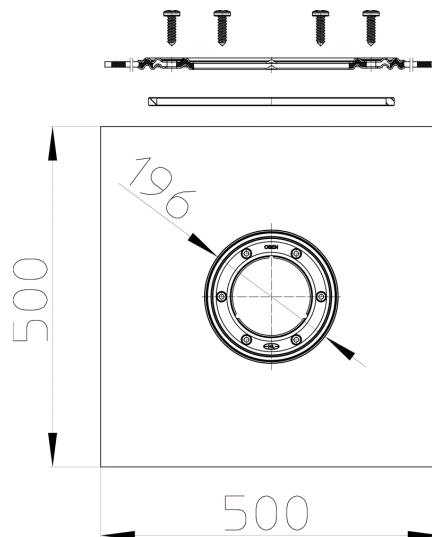
waterproofing kit with bitumen membrane d 400mm



waterproofing kit consisting of stainless steel clamping ring 200 x 115 mm with gasket and bitumen membrane d 500 mm for perfect and easy lap-joint waterproofing with bituminous membranes





### techn. drawing



### MAIN DATA

#### spare parts

-  **HL01023D**  
lip seal 180x6mm
-  **HL083.H1E**  
screws 6,3x19mm (6 pcs)

## TECHNICAL DATA

<b>material</b>	Edelstahl - Bitumen	<b>installation height</b>
<b>dimension</b>	196 x 114 mm / d 400 mm	<b>grate frame</b>
<b>capacity</b>		<b>grate</b>
<b>weight</b>	1,56	<b>load class</b>
<b>EAN</b>	9003076008315	<b>inlet</b>
		<b>standards</b>

## PACKAGING DATA

### PE-bag

<b>unit</b>	1 [pcs.]
<b>weight</b>	1,614 [kg]
<b>EAN/pack.</b>	9003076008315
<b>height/width/depth</b>	30/520/520 [mm]
<b>volume</b>	0 [m <sup>3</sup> ]

## DOWNLOADS

<b>Foto Print</b>	<a href="#">HL83H_pr.tif</a>	max.
<b>Foto Web</b>	<a href="#">HL83H_B.jpg</a>	640x480/300dpi
<b>Foto Symbol</b>	<a href="#">HL83H_gr.jpg</a>	150x150/72dpi
<b>techn. drawing</b>	<a href="#">HL83_H_b.pdf</a>	pdf
<b>CAD</b>	<a href="#">HL83_H_2_b.dxf</a>	dxf
<b>example of use</b>	<a href="#">HL83H_PZ.pdf</a>	pdf