

HL8300.0

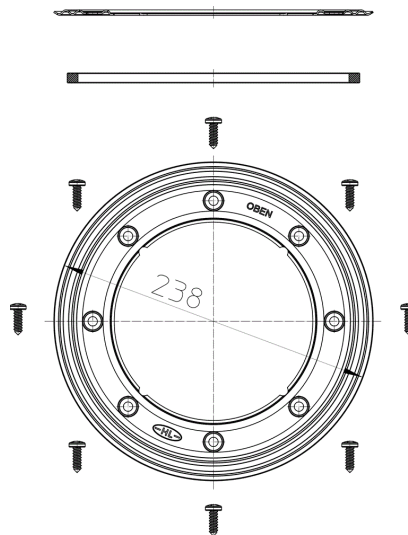
Sealing set with clamp ring stainless steel



Sealing set consisting of stainless steel flange d
148x238 mm with screws and gasket





techn. drawing



MAIN DATA

spare parts

-  **HL01092D**
Gasket 202x218x6
-  **HL08300.2E**
Stainless steel flange

**HL086.1E**

screws 6,3x16mm (8 Stk.)

TECHNICAL DATA

material	Edelstahl	installation height
dimension	238x148mm	grate frame
capacity		grate
weight	0,303	load class
EAN	9003076025497	inlet
		standards

PACKAGING DATA**PE-bag**

unit	1 [pcs.]
weight	0,312 [kg]
EAN/pack.	9003076025497
height/width/depth	20/240/240 [mm]
volume	0 [m ³]

carton

unit	10 [pcs.]
weight	3,307 [kg]
EAN/pack.	
height/width/depth	155/225/295 [mm]
volume	0,006402 [m ³]

DOWNLOADS

Foto Print	HL8300x0_pr.tif	max.
Foto Web	HL8300x0_B.jpg	640x480/300dpi
Foto Symbol	HL8300x0_gr.jpg	150x150/72dpi
techn. drawing	HL8300_0_a.pdf	pdf
CAD	HL8300_0_2_a.dxf	dxf
example of use	HL8300x0_PZ.pdf	pdf