

HL84

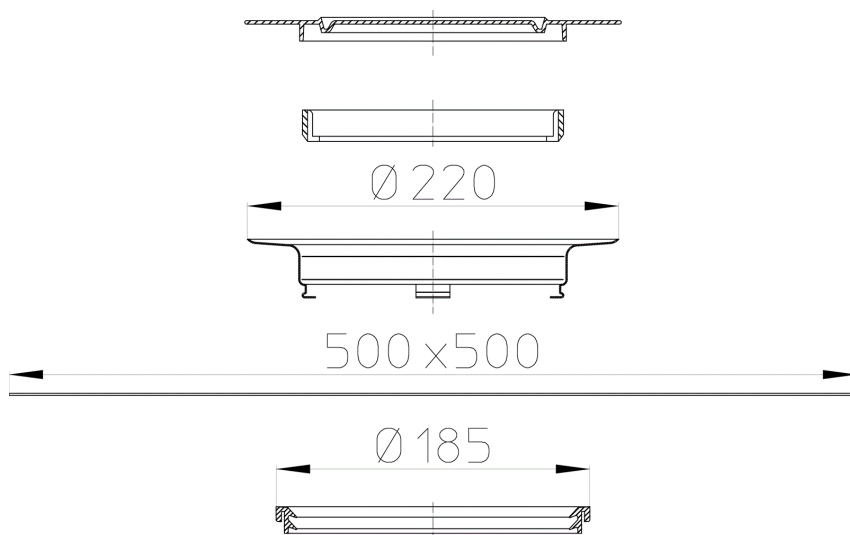
waterproofing kit with EPDM collar d 500mm



waterproofing kit consisting of stainless steel flange 220 x 155 mm plastic clamping ring, adapter and EPDM collar d 500 mm. Comes with lot cover.



techn. drawing



MAIN DATA

spare parts



HL062B.3E
adapter



HL084.2E
stainless steel flange 220x155mm

**HL084.3E**

EPDM-collar 500x500mm

**HL084.4E**

clamping ring

Alternatives**HL84.0**

waterproofing kit

**HL84.CU**

waterproofing kit with copper sheet d 500mm

**HL84.E**

waterproofing kit with zincplated steel sheet d 500mm

**HL84.H**

waterproofing kit with bitumen membrane d 500mm

**HL84.M**

Sealing kit with laminated fleece

TECHNICAL DATA

material	Edelstahl - EPDM	installation height
dimension	220 x 155 mm / d 500 mm	grate frame
capacity		grate
weight	0,73	load class
EAN	9003076710843	inlet
		standards

PACKAGING DATA**PE-bag**

unit	1 [pcs.]
weight	0,74 [kg]
EAN/pack.	9003076710843
height/width/depth	80/270/270 [mm]
volume	0 [m³]

DOWNLOADS

Foto Print	HL84_pr.tif	max.
Foto Web	HL84_B.jpg	640x480/300dpi

Foto Symbol	HL84_gr.jpg	150x150/72dpi
techn. drawing	HL84_a.pdf	pdf
CAD	HL84_2_a.dxf	dxf