

HL90.2

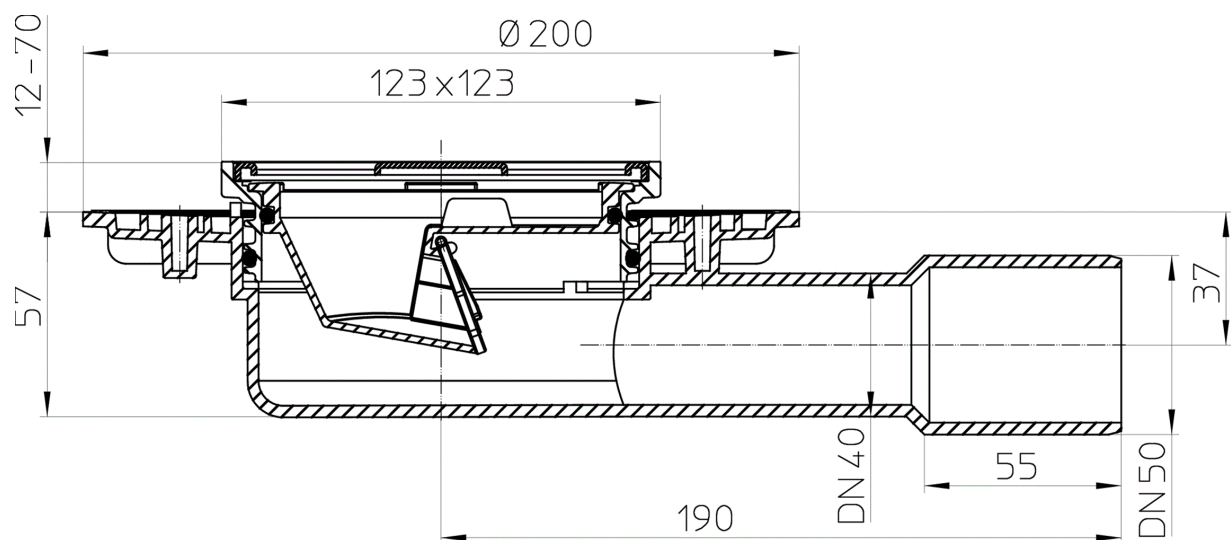
balcony and terrace drain DN40/50 horizontal with frost-proof flap seal,
123x123mm/115x115mm



balcony and terrace drain DN40/50 horizontal with
flange, frost-and drought-proof flap seal, cut-to-size
plastic grate frame 10 - 70 mm / 123 x 123 mm, stainless
steel grate 115 x 115 mm. Comes with lot cover.



techn. drawing



MAIN DATA

spare parts



HL090.4E
flap cartridge



HL37N
grating d 110mm/123x123mm/115x115mm. Comes with lot cover



HL037N.2E
grate frame d 110mm/90mm/123x123mm incl. O-ring



HL01067D
O-ring 92x4mm



HL037N.OE
supporting frame/cover 123x123mm



HL037Pr.1E
Stainless steel grate 115x115mm



HL90K
balcony and terrace drain body DN40/50 horizontal

attachment



HL180
gravel guard d 110mm



HL181
Flat leaf catcher for balcony or terrasse drains of series HL90, HL90 and HL310NK, HL510NK



HL619
fixing brackets

Extensions



HL340N
extension 80mm/d 110mm incl. O-ring



HL85N
extension with flange incl. O-ring



HL85NC
extension d 110mm CeraDrain with polymer concrete collar incl. O-ring



HL85NH
extension incl. O-ring with bitumen membrane

Waterproofing Kits



HL83
waterproofing kit with EPDM collar 400x400mm



HL83.0
waterproofing kit



HL83.H
waterproofing kit with bitumen membrane d 400mm



HL83.M
Sealing kit with laminated fleece



HL83.P
waterproofing kit with flange PVC d 287mm



HL83.PP
Sealing set with PP flange

TECHNICAL DATA

material	PE	installation height	57 mm
dimension	DN40/50	grate frame	12-70mm/123x123mm
capacity	0,50 l/sec	grate	Edelstahl 115x115mm

weight	0,425	load class	K - 300 kg
EAN	9003076016853	inlet	
		standards	

PACKAGING DATA

carton

unit	1 [pcs.]
weight	0,612 [kg]
EAN/pack.	9003076016853
height/width/depth	155/225/295 [mm]
volume	0,010288125 [m ³]

single use pallet

unit	143 [pcs.]
weight	98 [kg]
EAN/pack.	
height/width/depth	1900/800/1200 [mm]
volume	1,824 [m ³]

DOWNLOADS

Foto Print	HL90_pr.tif	max.
Foto Web	HL90_B.jpg	640x480/300dpi
Foto Symbol	HL90_gr.jpg	150x150/72dpi
techn. drawing	HL90_2_b.pdf	pdf
CAD	HL90_2_c.dxf	dxf