

HL9/1

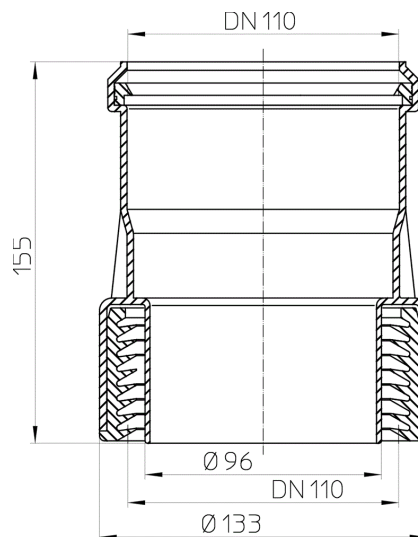
socket connector DN110 plastic/cast iron



socket connector DN110 for push-fit connections
between cast iron and plastic pipes




techn. drawing



MAIN DATA

spare parts

 **HL01029D**
lip seal DN110

 **HL01064D**
lip seal DN110

Alternatives

 **HL9/1ET**
socket connector DN110 plastic/Eternit

TECHNICAL DATA

material	PP	installation height
dimension	DN110	grate frame
capacity		grate
weight	0,38	load class
EAN	9003076909100	inlet
		standards

PACKAGING DATA

carton

unit	10 [pcs.]
weight	4,29 [kg]
EAN/pack.	9003076004058
height/width/depth	360/300/410 [mm]
volume	0,04428 [m ³]

single use pallet

unit	320 [pcs.]
weight	147 [kg]
EAN/pack.	
height/width/depth	1650/850/1200 [mm]
volume	1,683 [m ³]

DOWNLOADS

Foto Print	HL9er_pr.tif	max.
Foto Web	HL9er_B.jpg	640x480/300dpi
Foto Symbol	HL9er_gr.jpg	150x150/72dpi
techn. drawing	HL9_1_a.pdf	pdf
CAD	HL9_1_2_a.dxf	dxf