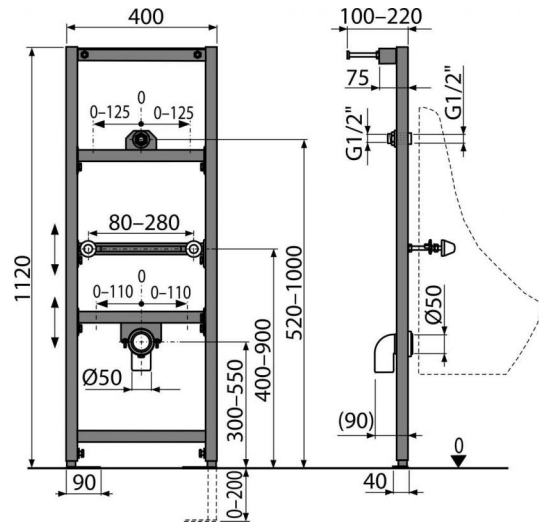


# A107/1120

## Mounting frame for urinal



### Application

For mounting in front of a support wall or in to a plasterboard construction  
 For mounting pressure flusher  
 For wall-hung urinals

### Features

- Material: powder-coated metal
- Adjustable telescopic feet, range 0-200 mm
- Adjustable waste 0-110 mm from centre
- Water connection adjustable 0-125 mm from center
- To connect the pressure urinal flusher ATS001
- Mounting pitch of the urinal is 80-280 mm
- Height adjustable partitions

### Scope of supply

- Fixing hardware for mounting the urinal: M10 screw – 2 pcs
- Fixation set: screw Ø8x60 – 4 pcs, dowel Ø12 – 4 pcs
- Covers for the fixing material
- Waste elbow HT 50 with seal
- Connection fittings G1/2"-G1/2"
- Self-supporting frame with a C-profile

### Order number, Logistic information

Code	EAN	Weight (kus   packing   palett)	Dimensions (piece   packing)	Quantity (packing   palett)
A107/1120	8595580552725	8,7871   8,7871   283,6130 kg	1195x82x410   1195x82x410 mm	1   30 pcs

### Guarantee      Customs code

2/15 years      73089098

### Technical specifications

- Load test 150 kg