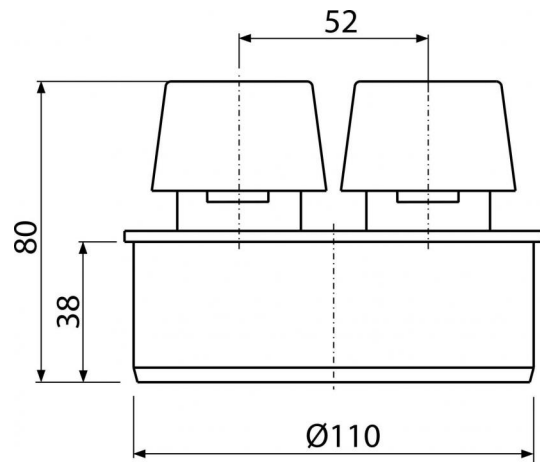
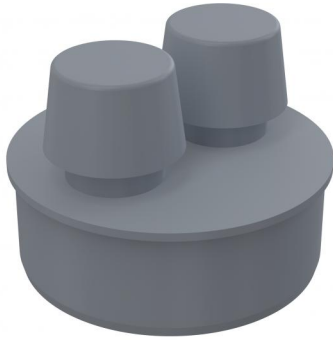


APH110

Air admittance valve DN110



Application

Air admittance to the waste pipe

Features

- Material: polypropylene
- Allows air to be sucked into the waste pipe if vacuum occurs in the system
- It prevents the penetration of odour from the waste pipe
- Ø110 mm

Scope of supply

- Head

Order number, Logistic information

| Code | EAN | Weight (kus packing palett) | Dimensions (piece packing) | Quantity (packing palett) |
|--------|---------------|------------------------------------|---------------------------------|--------------------------------|
| APH110 | 8594045930870 | 0,1284 6,4240 122,7840 kg | 115x80x110 580x400x330 mm | 50 800 pcs |

Guarantee

2/2 years

Customs code

39174000

Norms

EN 12380