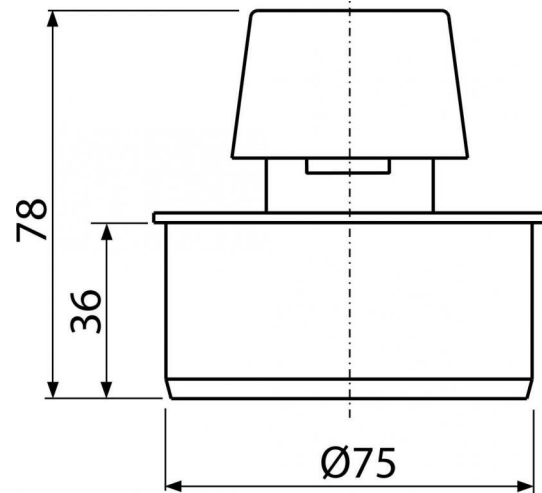
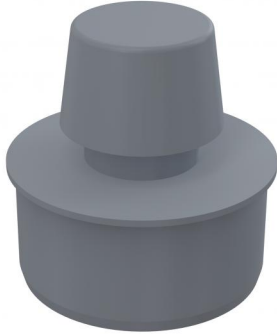


APH75

Air admittance valve DN75

**Application**

Air admittance to the waste pipe

Features

- Material: polypropylene
- Allows air to be sucked into the waste pipe if vacuum occurs in the system
- It prevents the penetration of odour from the waste pipe
- Ø75 mm

Scope of supply

- Head

Order number, Logistic information

Code	EAN	Weight (kus packing palett)	Dimensions (piece packing)	Quantity (packing palett)
APH75	8594045930863	0,0611 3,0530 68,8480 kg	78×80×80 330×270×300 mm	50 800 pcs

Guarantee

2/2 years

Customs code

39174000

Norms

EN 12380