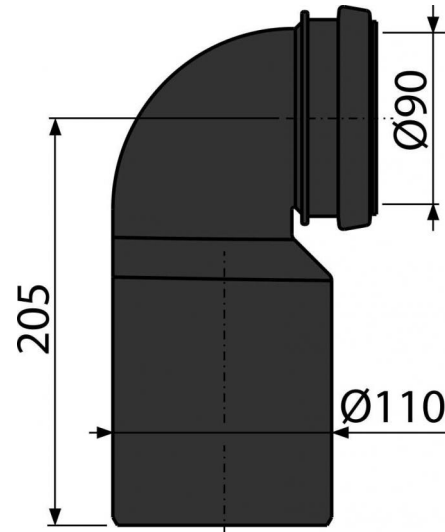


# M906

Elbow waste connector set DN90/110



### Application

For pre-wall installation systems  
To connect a wall-hung WC to vertical waste pipes

### Features

- Material: polyethylene

### Scope of supply

- Fixation ring
- Waste elbow connector Ø90/110 mm
- Seal

### Order number, Logistic information

Code	EAN	Weight (kus   packing   palett)	Dimensions (piece   packing)	Quantity (packing   palett)
M906	8595580501891	0,3996   7,9920   147,8720 kg	250x120x110   590x430x390 mm	20   320 pcs

Guarantee	Customs code	Norms
2/2 years	39174000	EN 476